

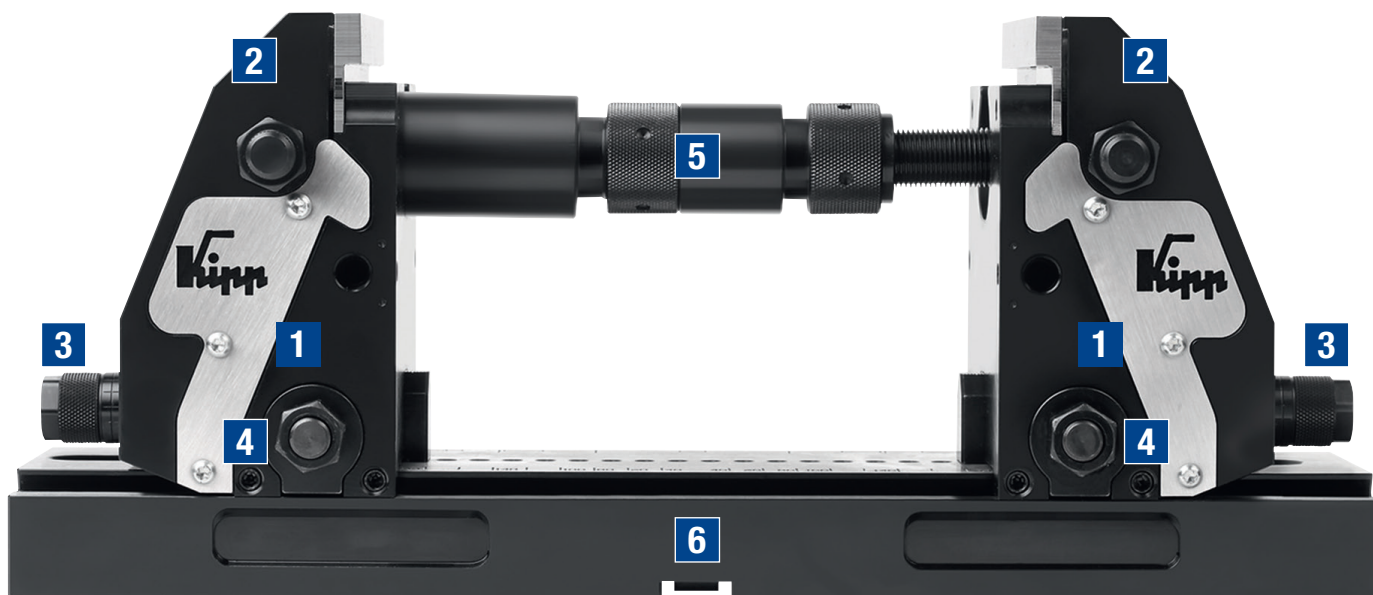
# 5-axis clamping system compact



## Function

We are setting standards with the new „KIPP 5-axis clamping system compact“ in this field. The system was specifically designed for the optimal machining of complex workpieces on modern 5-axis machines.

The intelligent clamping technology increases clamping rigidity for the highest cutting and feed forces. The optimal accessibility to the workpiece allows short, standard tooling to be used. Tooling costs are significantly reduced.



- 1** Positioning unit with jaw plate
- 2** Vice jaws
- 3** Fine adjustment with knurled screw
- 4** Clamping screw
- 5** Extension shafts
- 6** Base plate

### ADVANTAGES:

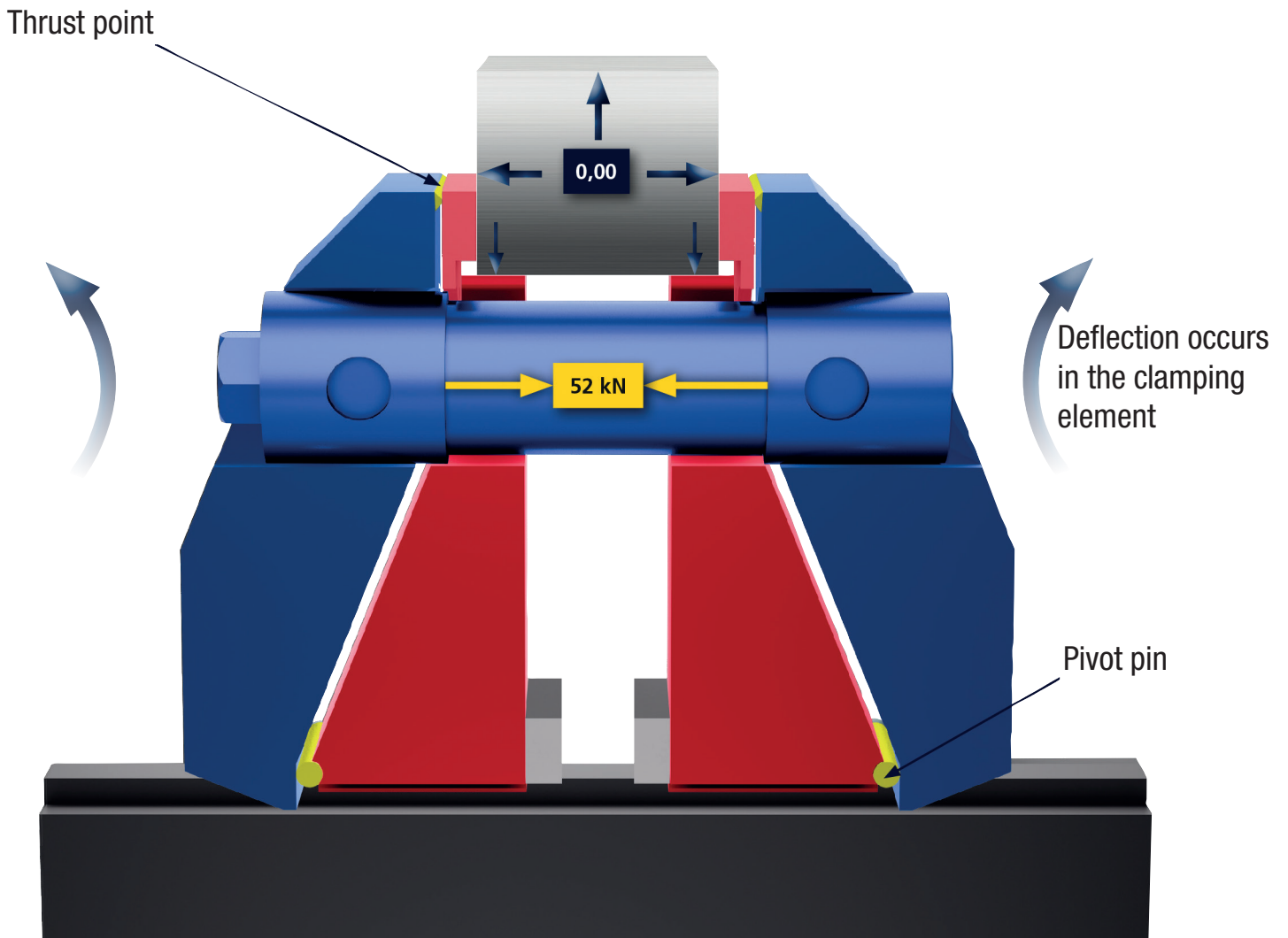
- Very high tractive force
- High stiffness in the system
- Pull-down function of the jaw plates on both sides
- Optimum fine adjustment of the jaw plates on the workpiece
- Increased tool service life
- The workpiece is always centred due to the systematic construction
- Large clamping width, 20 mm to 320 mm, freely extendable
- Clamping depth adjustable from 3 to 20 mm using seating ledges
- Best tool accessibility from all sides
- Easy to clean

# Forces

The new clamping technology ensures force flow separation and workpiece positioning. The intelligent force distribution in the system allows only weak forces to be transferred to the machine table.

## NEW CLAMPING TECHNOLOGY PATENT GRANTED

- Division of force flow and positioning
- Highest clamping force on the workpiece
- Maximum stiffness
- Centric tension

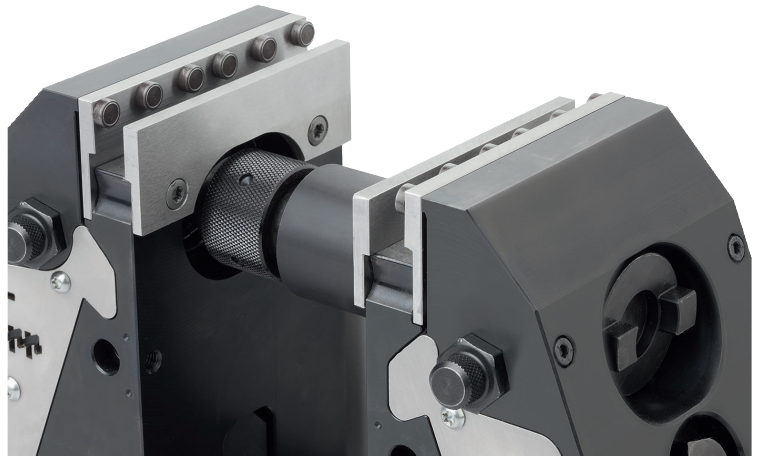


- Clamping elements
- Locators

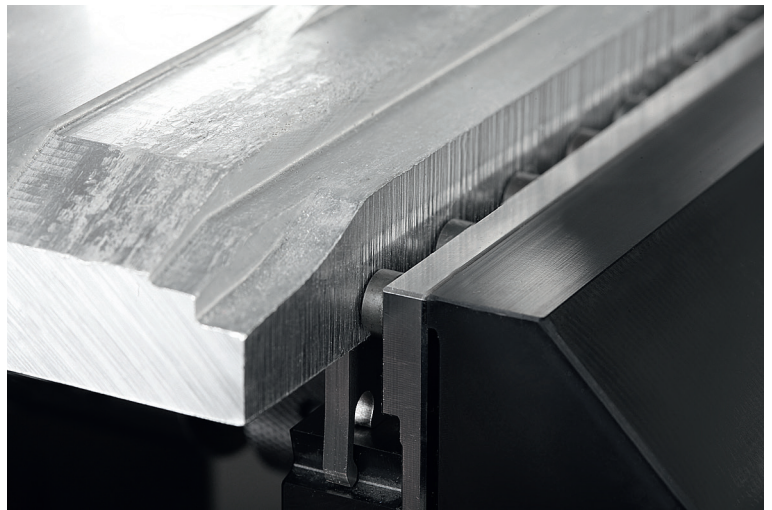
# Applications



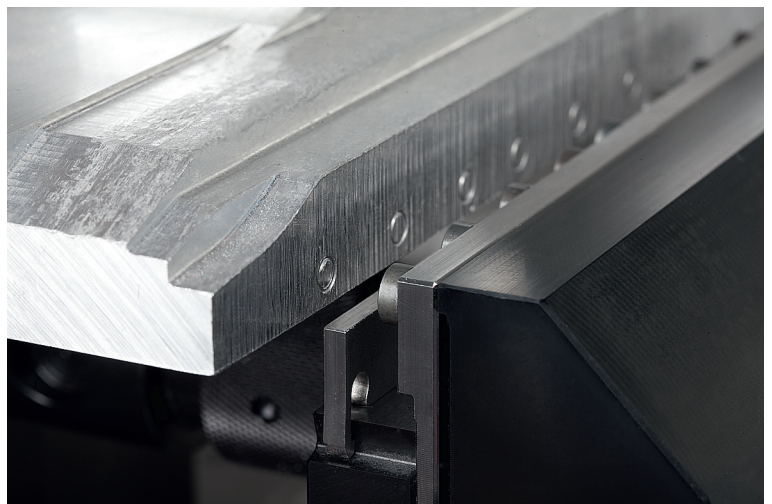
5-axis clamping system compact incl. jaw with pins for clamping unmachined parts, and screw-on seating ledges. The clamping depth can be determined by machining the ledge.



Clamped blank. Sure set-up through positive clamping pins.

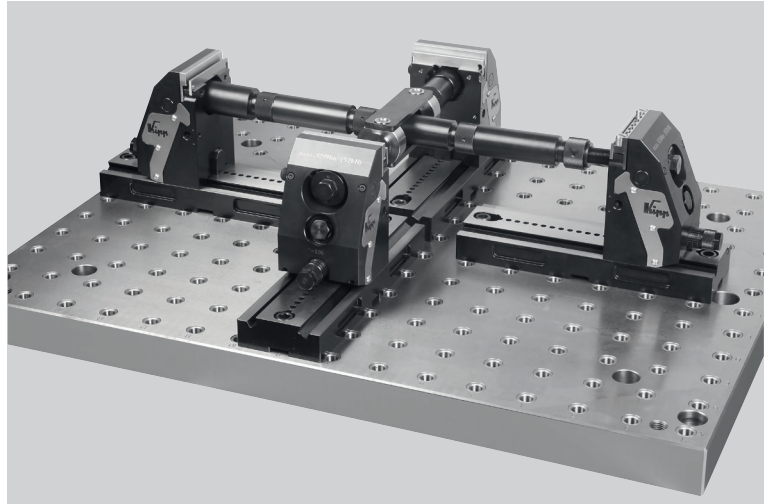


Blank after clamping. Clamping pin imprint is visible on the edge of the workpiece.





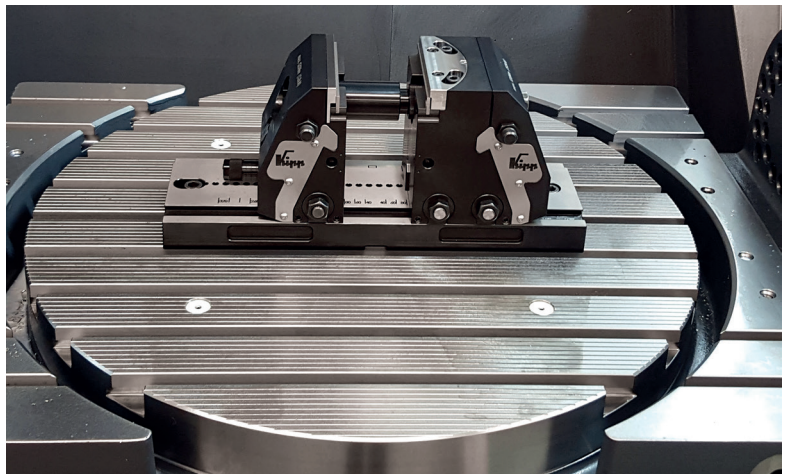
With the coupling for cross-clamping, two 5-axis clamping systems can be compactly connected with each other offset by 90 degrees. Setups for workpieces with different dimensions of 4 sides are possible.



5-axis clamping system compact positioned directly on the machine table.

Use of pendulum jaws which also act as fixed jaws.

Workpiece clamping with smooth jaws.



Positioning directly on the KIPP zero-point clamping system with integrated clamping pins in the 5-axis vice compact baseplate.

