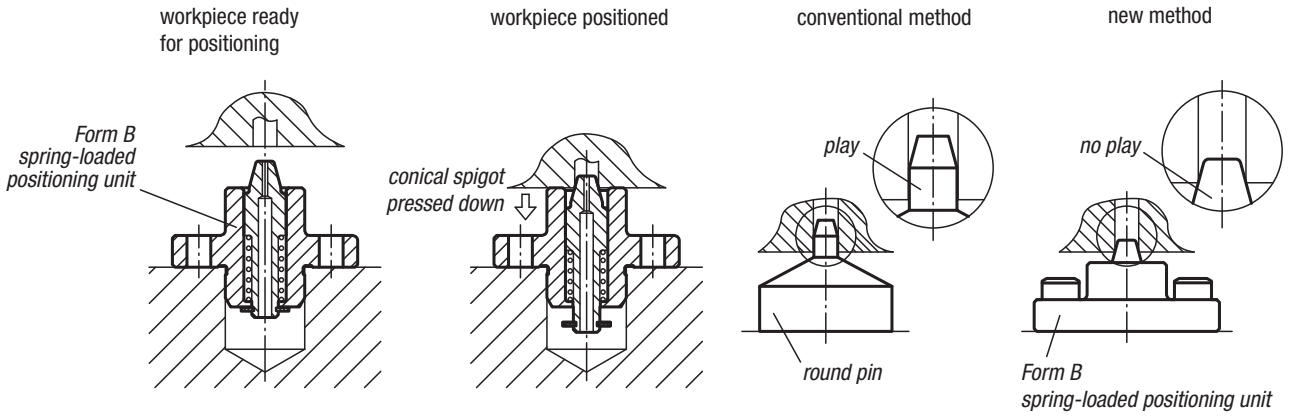
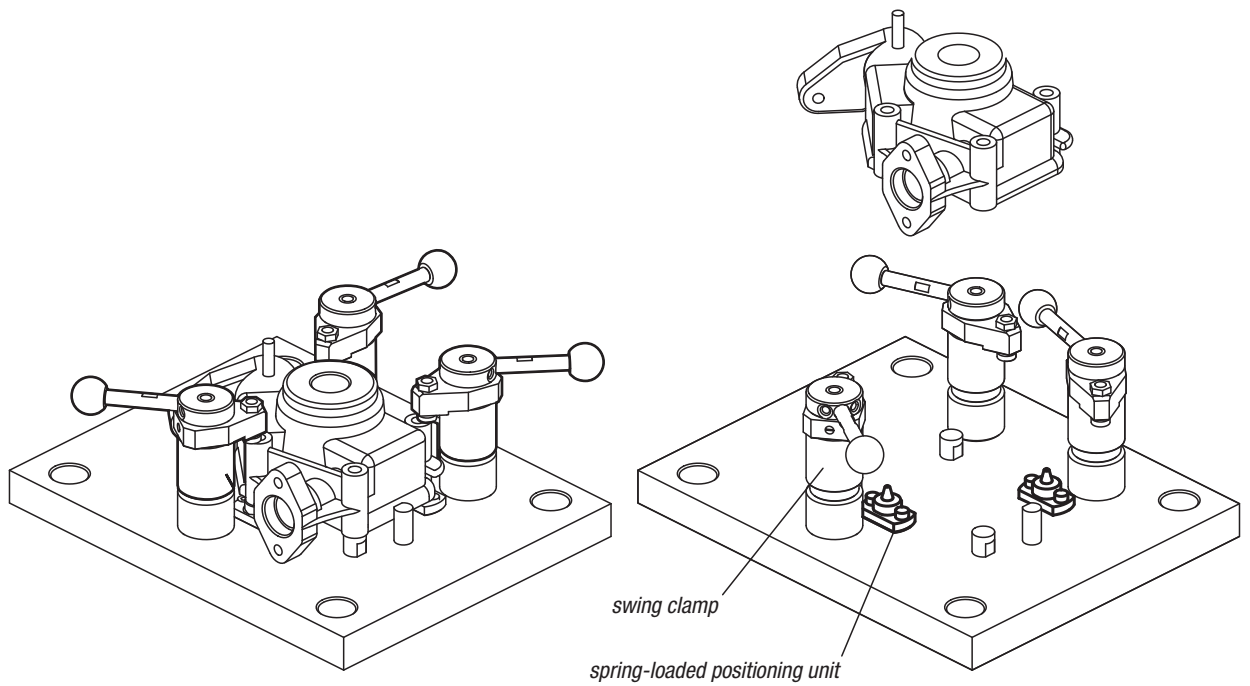


Technical information



The conical spigot is pushed down when the workpiece is mounted on the positioning unit.

The conical spigot ensures precise positioning.



Note:

To prevent the positioning unit lifting the workpiece, hold it down by hand when loosening the swing clamp.