

Quarter-turn lock zinc, lockable, long version

Item description/product images



Description

Material:

Housing and actuator die-cast zinc.
Nut steel.
Tongue steel.

Version:

Housing and actuator chrome-plated.
Nut electro zinc-plated.
Tongue electro zinc-plated.

Note:

Lockable quarter-turn lock for right or left mounting with 90° closing. The quarter-turn lock can be installed pre-assembled (apart from those with a down offset tongue).

With stainless steel cylinder cap and dust cover.

These lockable quarter-turn locks are each delivered with 2 keys. The key can be removed in both positions (open and closed). The locks have a single key system, i.e. they can all be opened using the same key (cylinder lock 1333).

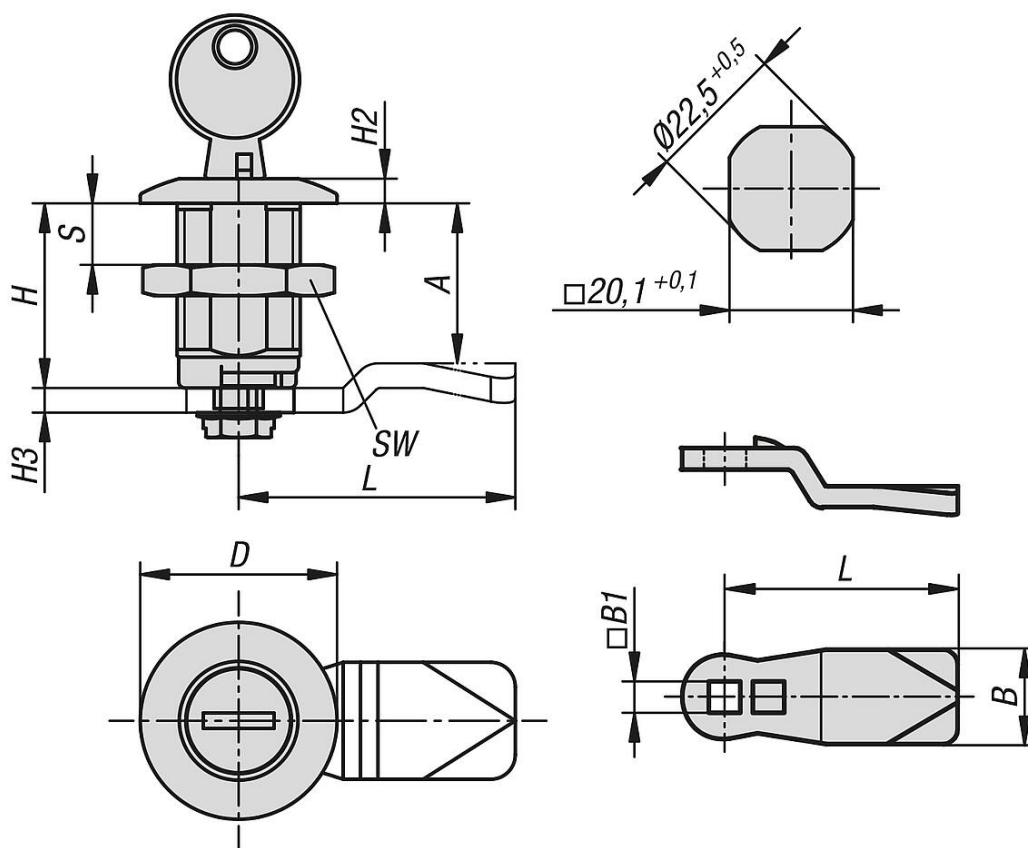
Please order required tongue version separately. Every tongue can be combined with every housing.

Accessory:

Tongue steel, with stop K2218.
Key for quarter-turn lock K1511.

Quarter-turn lock zinc, lockable, long version

Drawings



Overview of items

Quarter-turn lock zinc, lockable, long version

Order No.	B	B1	D	H	H2	H3	S max.	SW	Actuation
K2217.30321	19	8,1	32	30	4	4	20	27	key single-key system
K2217.50321	19	8,1	32	50	4	4	40	27	key single-key system