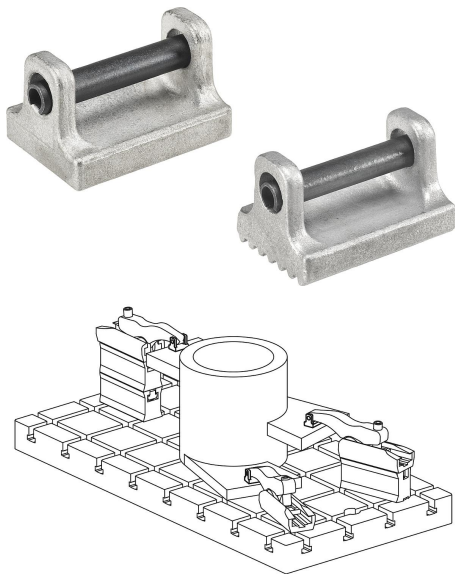


Thrust pads for power clamp

Item description/product images



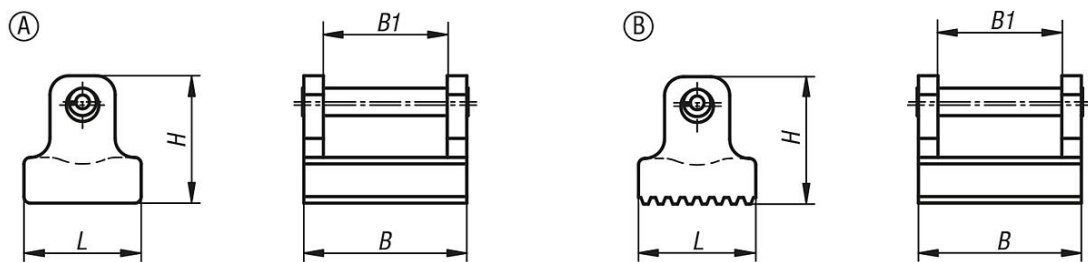
Description

Material:
Stainless steel

Note:
Power clamps can be fitted with serrated or smooth thrust pads.

Accessory:
Power clamp K1205
3-stage power clamp K1664

Drawings



Overview of items

Thrust pads for power clamp

Order No.	Form	Form definition	B	B1	H	L
K1215.019	A	smooth	19	13	14	12
K1215.025	A	smooth	25	19	19,5	18
K1215.030	A	smooth	30	21	24	20
K1215.036	A	smooth	36	26	28	25
K1215.043	A	smooth	43	31,5	29	28
K1215.119	B	serrated	19	13	14	12
K1215.125	B	serrated	25	19	19,5	18
K1215.130	B	serrated	30	21	24	20
K1215.136	B	serrated	36	26	28	25
K1215.143	B	serrated	43	31,5	29	28