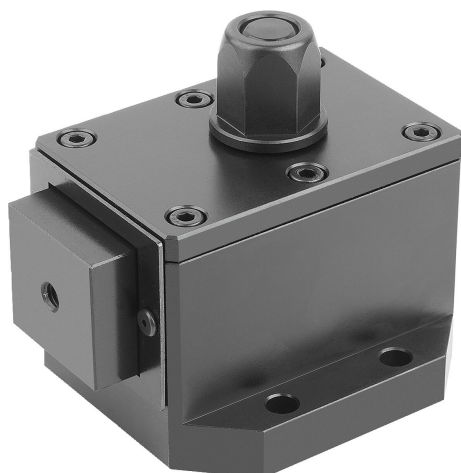


Side clamps automation compatible

Item description/product images



Description

Product description:

These side clamps are highly suitable for automated clamping processes.

Material:

Carbon steel.

Version:

Tempered and black oxidised.

Type of operation:

Actuated using a hammer driver with adjustable torque or manually using a clamping key.

Advantages:

Automation-compatible
High clamping forces
Rapid clamping

Supplied with:

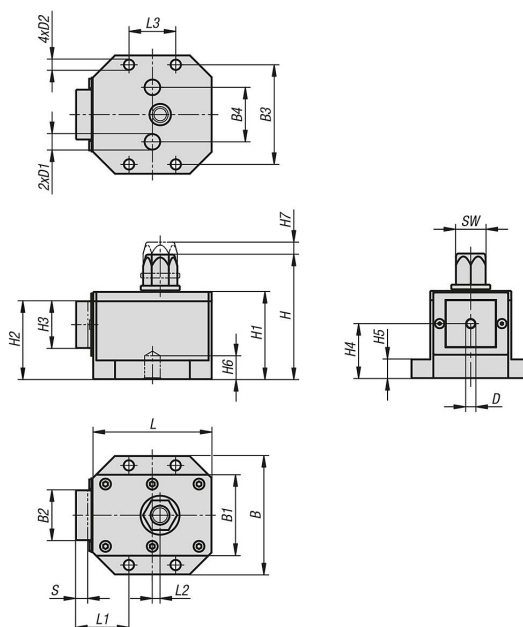
K2159.0600: 2x locating pins $\varnothing 10$ (h7) x 30.

K2159.1000: 2x locating pins $\varnothing 16$ (h7) x 30.

Accessory:

Grippers and inserts K0385.

Drawings



Overview of items

Side clamps, automation compatible

Side clamps automation compatible

Overview of items

Order No.	B	B1	B2	B3	B4	D	D1	D2	H	H1	H2	H3	H4	H5	H6	H7	L	L1	L2	L3	SW	Travel S	Clamping force kN	Tightening torque max. Nm
K2159.0600	76	52	32	64	35	M6x15	10	6,6	80	56	50	30	35	12	15	8	76	34	5	30	19	8	6	27
K2159.1000	100	68	42	85	45	M6x15	16	9	97	73	65	40	45	15	16	11	100	44,5	8	40	19	11	10	55