

Crank handles with fold-down cylinder grip

Item description/product images



Description

Material:

Crank and grip thermoplastic.

Hub and grip axle steel, strength class 5.8, or stainless steel 1.4404.

Version:

Thermoplastic black grey.

Steel parts black oxidised.

Stainless steel bright.

Note:

The hub cover is supplied unassembled.

The crank handles can be secured to the shaft by cross-pinning or by parallel key together with a DIN 6912 socket head screw and DIN 7349 washer.

Versions with transverse bore are secured using the ISO 4027 (DIN 914) grub screw.

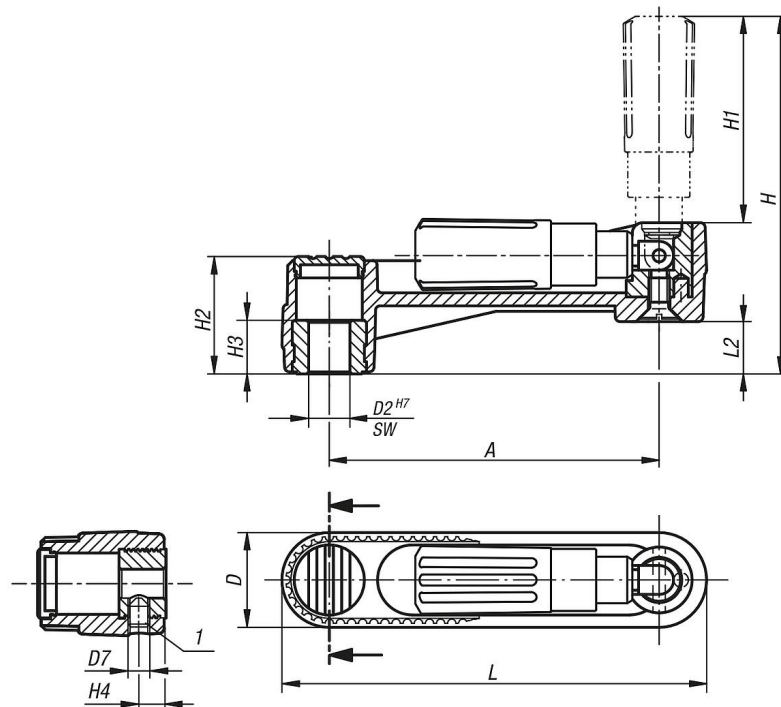
Accessory:

K1160 cap screws screws, low head DIN 6912.

Drawing reference:

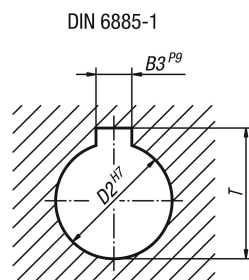
1) Position of the transverse bore to the keyway is offset by 90°.

Drawings



Crank handles with fold-down cylinder grip

Drawings



Overview of items

Crank handles with fold-down cylinder grip

Order No.	Version 1	Version 2	Component material	A	D	D2	D7	H	H1	H2	H3	H4	L	L2	B3	SW	T
K0266.1108	reamed hole	without transverse hole	steel	80	24	8	-	85,7	49	28,5	13	-	104	12,7	-	-	-
K0266.1110	reamed hole	without transverse hole	steel	80	24	10	-	85,7	49	28,5	13	-	104	12,7	-	-	-
K0266.1210	reamed hole	without transverse hole	steel	100	29	10	-	105,2	49	35,5	13	-	129	15,7	-	-	-
K0266.1212	reamed hole	without transverse hole	steel	100	29	12	-	105,2	59,5	35,5	13	-	129	15,7	-	-	-
K0266.1312	reamed hole	without transverse hole	steel	125	36	12	-	140	83	44	18,5	-	161	19,5	-	-	-
K0266.1314	reamed hole	without transverse hole	steel	125	36	14	-	140	83	44	18,5	-	161	19,5	-	-	-
K0266.11086	reamed hole	with transverse bore	steel	80	24	8	M6	85,7	49	28,5	13	7,5	104	12,7	-	-	-
K0266.11106	reamed hole	with transverse bore	steel	80	24	10	M6	85,7	49	28,5	13	7,5	104	12,7	-	-	-
K0266.12106	reamed hole	with transverse bore	steel	100	29	10	M6	105,2	59,5	35,5	13	7,5	129	15,7	-	-	-
K0266.12126	reamed hole	with transverse bore	steel	100	29	12	M6	105,2	59,5	35,5	13	7,5	129	15,7	-	-	-
K0266.13126	reamed hole	with transverse bore	steel	125	36	12	M6	140	83	44	18,5	7,5	161	19,5	-	-	-
K0266.13146	reamed hole	with transverse bore	steel	125	36	14	M6	140	83	44	18,5	7,5	161	19,5	-	-	-
K0266.01108	reamed hole	without transverse hole	stainless steel	80	24	8	-	85,7	49	28,5	13	-	104	12,7	-	-	-
K0266.01110	reamed hole	without transverse hole	stainless steel	80	24	10	-	85,7	49	28,5	13	-	104	12,7	-	-	-
K0266.01210	reamed hole	without transverse hole	stainless steel	100	29	10	-	105,2	49	35,5	13	-	129	15,7	-	-	-
K0266.01212	reamed hole	without transverse hole	stainless steel	100	29	12	-	105,2	59,5	35,5	13	-	129	15,7	-	-	-
K0266.01312	reamed hole	without transverse hole	stainless steel	125	36	12	-	140	83	44	18,5	-	161	19,5	-	-	-
K0266.01314	reamed hole	without transverse hole	stainless steel	125	36	14	-	140	83	44	18,5	-	161	19,5	-	-	-
K0266.011086	reamed hole	with transverse bore	stainless steel	80	24	8	M6	85,7	49	28,5	13	7,5	104	12,7	-	-	-
K0266.011106	reamed hole	with transverse bore	stainless steel	80	24	10	M6	85,7	49	28,5	13	7,5	104	12,7	-	-	-
K0266.012106	reamed hole	with transverse bore	stainless steel	100	29	10	M6	105,2	59,5	35,5	13	7,5	129	15,7	-	-	-
K0266.012126	reamed hole	with transverse bore	stainless steel	100	29	12	M6	105,2	59,5	35,5	13	7,5	129	15,7	-	-	-
K0266.013126	reamed hole	with transverse bore	stainless steel	125	36	12	M6	140	83	44	18,5	7,5	161	19,5	-	-	-
K0266.013146	reamed hole	with transverse bore	stainless steel	125	36	14	M6	140	83	44	18,5	7,5	161	19,5	-	-	-
K0266.110802	reamed hole with slot	without transverse hole	steel	80	24	8	-	85,7	49	28,5	13	-	104	12,7	2	-	9
K0266.111003	reamed hole with slot	without transverse hole	steel	80	24	10	-	85,7	49	28,5	13	-	104	12,7	3	-	11,4
K0266.121003	reamed hole with slot	without transverse hole	steel	100	29	10	-	105,2	49	35,5	13	-	129	15,7	3	-	11,4
K0266.121204	reamed hole with slot	without transverse hole	steel	100	29	12	-	105,2	59,5	35,5	13	-	129	15,7	4	-	13,8
K0266.131204	reamed hole with slot	without transverse hole	steel	125	36	12	-	140	83	44	18,5	-	161	19,5	4	-	13,8
K0266.131405	reamed hole with slot	without transverse hole	steel	125	36	14	-	140	83	44	18,5	-	161	19,5	5	-	16,3
K0266.1108026	reamed hole with slot	with transverse bore	steel	80	24	8	M6	85,7	49	28,5	13	7,5	104	12,7	2	-	9
K0266.1110036	reamed hole with slot	with transverse bore	steel	80	24	10	M6	85,7	49	28,5	13	7,5	104	12,7	3	-	11,4
K0266.1210036	reamed hole with slot	with transverse bore	steel	100	29	10	M6	105,2	59,5	35,5	13	7,5	129	15,7	3	-	11,4
K0266.1212046	reamed hole with slot	with transverse bore	steel	100	29	12	M6	105,2	59,5	35,5	13	7,5	129	15,7	4	-	13,8
K0266.1312046	reamed hole with slot	with transverse bore	steel	125	36	12	M6	140	83	44	18,5	7,5	161	19,5	4	-	13,8
K0266.1314056	reamed hole with slot	with transverse bore	steel	125	36	14	M6	140	83	44	18,5	7,5	161	19,5	5	-	16,3
K0266.0110802	reamed hole with slot	without transverse hole	stainless steel	80	24	8	-	85,7	49	28,5	13	-	104	12,7	2	-	9
K0266.0111003	reamed hole with slot	without transverse hole	stainless steel	80	24	10	-	85,7	49	28,5	13	-	104	12,7	3	-	11,4
K0266.0121003	reamed hole with slot	without transverse hole	stainless steel	100	29	10	-	105,2	49	35,5	13	-	129	15,7	3	-	11,4
K0266.0121204	reamed hole with slot	without transverse hole	stainless steel	100	29	12	-	105,2	59,5	35,5	13	-	129	15,7	4	-	13,8
K0266.0131204	reamed hole with slot	without transverse hole	stainless steel	125	36	12	-	140	83	44	18,5	-	161	19,5	4	-	13,8
K0266.0131405	reamed hole with slot	without transverse hole	stainless steel	125	36	14	-	140	83	44	18,5	-	161	19,5	5	-	16,3
K0266.01108026	reamed hole with slot	with transverse bore	stainless steel	80	24	8	M6	85,7	49	28,5	13	7,5	104	12,7	2	-	9
K0266.01110036	reamed hole with slot	with transverse bore	stainless steel	80	24	10	M6	85,7	49	28,5	13	7,5	104	12,7	3	-	11,4

Crank handles with fold-down cylinder grip

Overview of items

Order No.	Version 1	Version 2	Component material	A	D	D2	D7	H	H1	H2	H3	H4	L	L2	B3	SW	T
K0266.01210036	reamed hole with slot	with transverse bore	stainless steel	100	29	10	M6	105,2	59,5	35,5	13	7,5	129	15,7	3	-	11,4
K0266.01212046	reamed hole with slot	with transverse bore	stainless steel	100	29	12	M6	105,2	59,5	35,5	13	7,5	129	15,7	4	-	13,8
K0266.01312046	reamed hole with slot	with transverse bore	stainless steel	125	36	12	M6	140	83	44	18,5	7,5	161	19,5	4	-	13,8
K0266.01314056	reamed hole with slot	with transverse bore	stainless steel	125	36	14	M6	140	83	44	18,5	7,5	161	19,5	5	-	16,3
K0266.2108	square socket	without transverse hole	steel	80	24	-	-	85,7	49	28,5	13	-	104	12,7	-	8	-
K0266.2110	square socket	without transverse hole	steel	80	24	-	-	85,7	49	28,5	13	-	104	12,7	-	10	-
K0266.2210	square socket	without transverse hole	steel	100	29	-	-	105,2	59,5	35,5	13	-	129	15,7	-	10	-
K0266.2212	square socket	without transverse hole	steel	100	29	-	-	105,2	59,5	35,5	13	-	129	15,7	-	12	-
K0266.2312	square socket	without transverse hole	steel	125	36	-	-	140	83	44	18,5	-	161	19,5	-	12	-
K0266.2314	square socket	without transverse hole	steel	125	36	-	-	140	83	44	18,5	-	161	19,5	-	14	-
K0266.21086	square socket	fold-down	steel	80	24	-	M6	85,7	49	28,5	13	7,5	104	12,7	-	8	-
K0266.21106	square socket	fold-down	steel	80	24	-	M6	85,7	49	28,5	13	7,5	104	12,7	-	10	-
K0266.22106	square socket	fold-down	steel	100	29	-	M6	105,2	59,5	35,5	13	7,5	129	15,7	-	10	-
K0266.22126	square socket	fold-down	steel	100	29	-	M6	105,2	59,5	35,5	13	7,5	129	15,7	-	12	-
K0266.23126	square socket	fold-down	steel	125	36	-	M6	140	83	44	18,5	7,5	161	19,5	-	12	-
K0266.23146	square socket	fold-down	steel	125	36	-	M6	140	83	44	18,5	7,5	161	19,5	-	14	-