

Star grips biopolymer with internal thread

Item description/product images



Description

Material:

Biopolymer. Bush steel.

Version:

Bush trivalent blue passivated.

Advantages:

This biopolymer is manufactured entirely from renewable raw materials (oil free). Conservation of finite fossil resources.

The wood fibres originate 100% from local, sustainably managed forests in Germany.

Features:

Excellent mechanical stability (certified with a minimum of 2x safety factor).

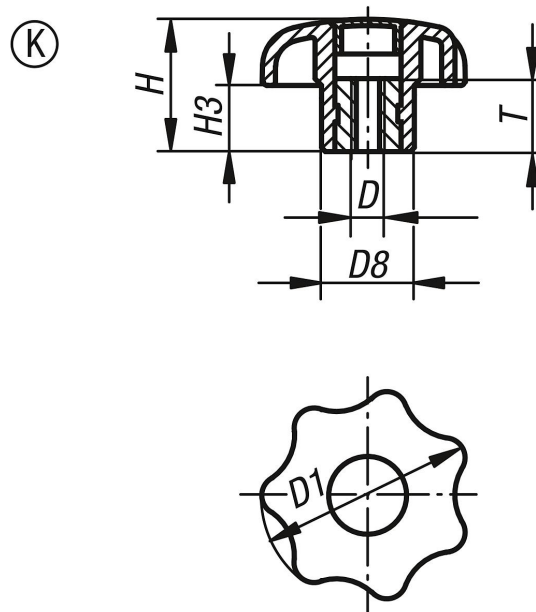
Biopolymer is suitable for recycling (comparable to thermoplastics).

Suitable for outdoor use (not biodegradable).

Excellent resistance to strong acids and lyes.

Short-term resistance to alcohol, fuel, mineral oil and grease.

Drawings



Overview of items