

Hinges, stainless steel with preset friction

Item description/product images



Description

Material:

Stainless steel 1.4310.

Version:

Bright.

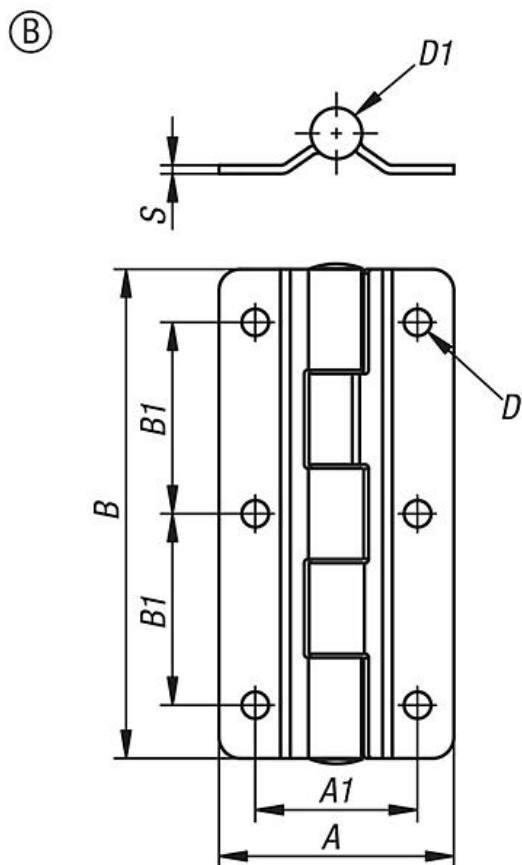
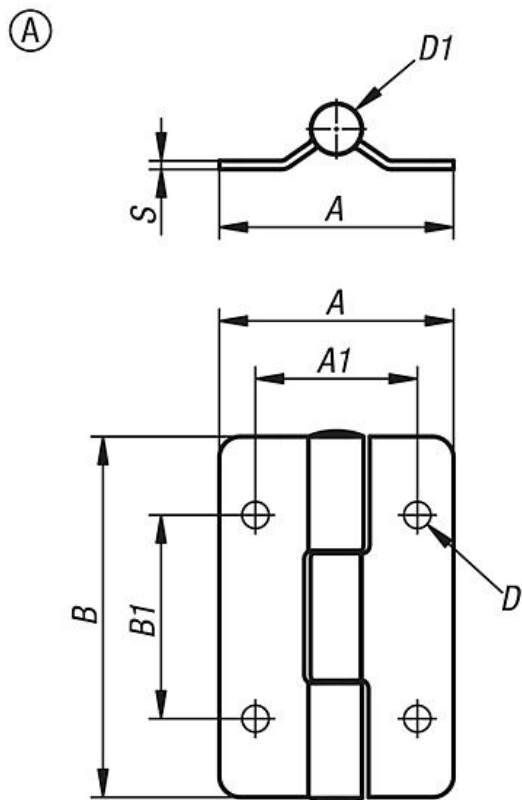
Note:

Due to the constant and stable torque, the hinges permit door positioning in any angular orientation without the need for additional aids.

Opening angle 270°.

Accessory:

Hinges, stainless steel K1517



Hinges, stainless steel with preset friction

Overview of items

Hinges, stainless steel with preset friction

Order No.	Form	A	A1	B	B1	D	D1	S	Max. torque Nm
K1518.55853	A	55	38	85	48	6,3	12	2	3
K1518.55855	A	55	38	85	48	6,3	16	2	5
K1518.65858	A	65	50	85	48	6,3	18	3	8
K1518.551154	B	55	38	115	45	6,3	12	2	4,5