

Reducer sleeves

Item description/product images



Description

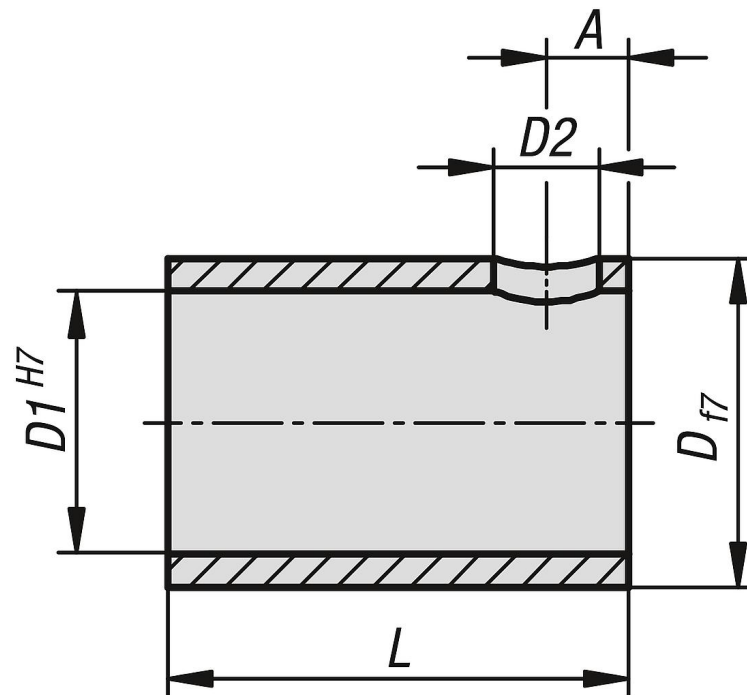
Material:
Stainless steel

Version:
Bright.

Note:
Reducer sleeves are used to change the diameter between the hollow shaft sensor and adjustment spindle.

Suitable for:
Hollow shaft sensors K1926

Drawings



Overview of items

Reducing bushings

Order No.	A	D	D1	D2	L
K1927.112012	3	20	12	3,6	20
K1927.112014	3	20	14	3,6	20
K1927.112016	3	20	16	3,6	20
K1927.112018	3	20	18	3,6	20

