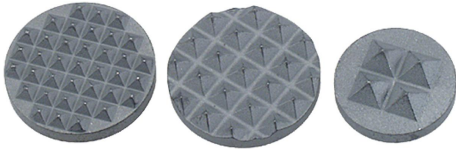


Gripper pads round carbide

Item description/product images



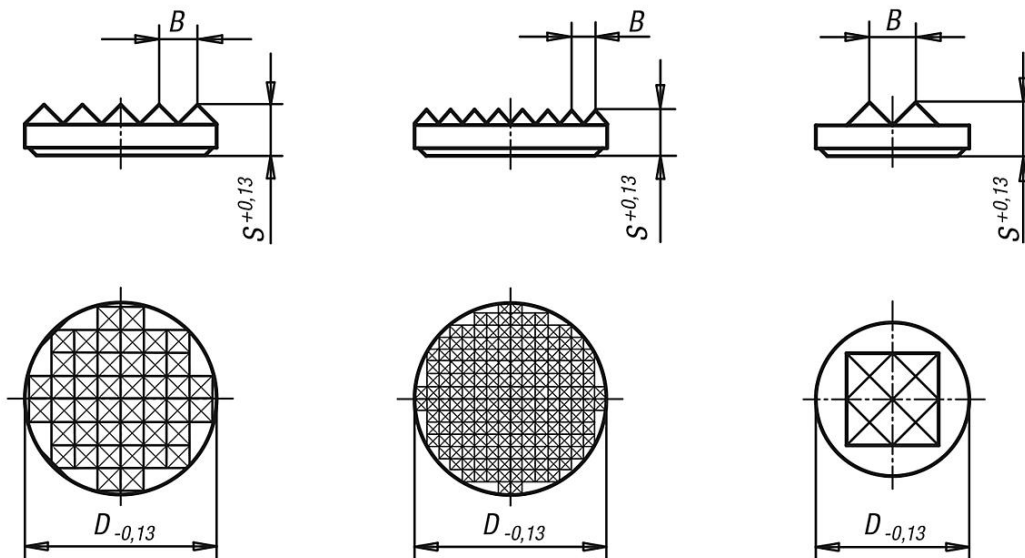
Description

Material:
Carbide.

Version:
sintered.

Note:
These carbide gripper pads are available as 4-point or serrated. They have many uses i.e. they can be glued onto cast iron base plates.

Drawings



Overview of items

Baseplates metal carbide

Order No.	Version 2	D	S	B
K1914.110	serrated	6,35	3,2	2,3
K1914.111	serrated	7,9	3,2	2,3
K1914.112	serrated	9,5	3,2	3
K1914.113	serrated	12,7	3,2	3
K1914.114	serrated	19,05	3,2	3
K1914.211	fine serrated	7,9	3,2	1,5
K1914.212	fine serrated	9,5	3,2	2,3
K1914.213	fine serrated	12,7	3,2	2,3
K1914.214	fine serrated	19,05	3,2	2,3
K1914.215	fine serrated	25,4	4	2,3
K1914.411	4-point contact	7,9	3,2	3
K1914.412	4-point contact	9,5	3,2	3
K1914.413	4-point contact	12,7	4	3,5

