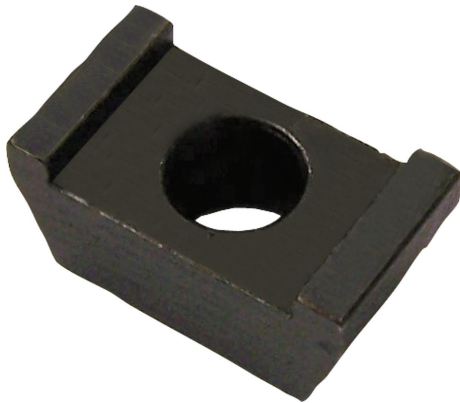


Clamp straps mini double sided

Item description/product images

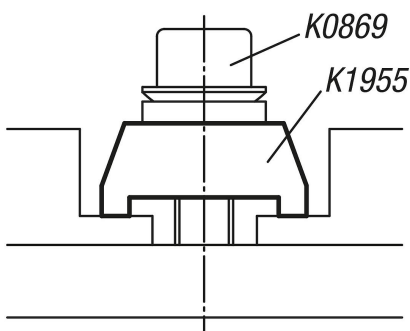


Description

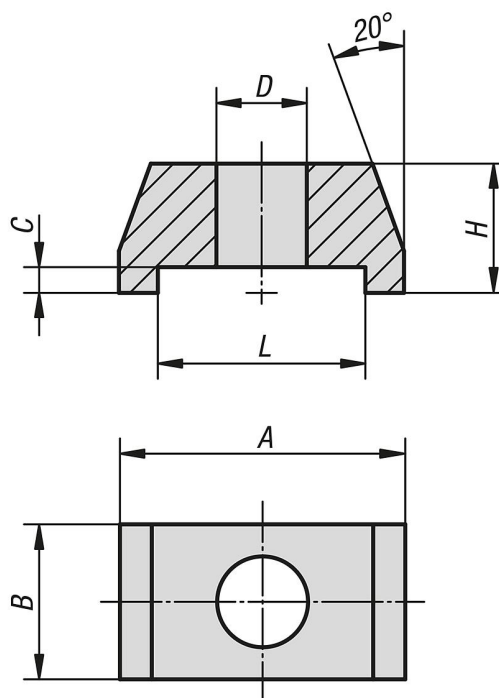
Material:
Steel.

Version:
Black oxidised.

Note:
Two workpieces can be clamped simultaneously from one clamping point using the mini clamp strap.



Drawings



Overview of items

Clamp straps mini double sided

Overview of items

Clamp straps mini, double sided

Order No.	A	B	C	D	H	L	Clamping force kN
K1955.006	22	12	2	7	10	16	4,82
K1955.008	22	12	2	9	10	16	8,77
K1955.010	35	19	3	11	15	24	13,9
K1955.012	35	19	3	13	15	24	20,2
K1955.016	50	29	5	17	25	36	37,8