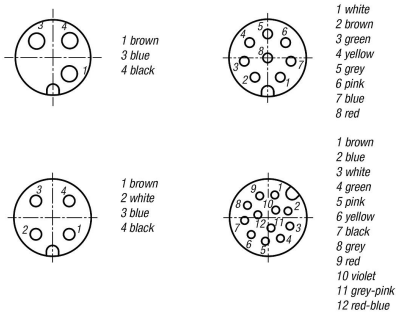


Connectors bush M12x1 with screw lock

Item description/product images



Description

Material:

Housing: plastic.
 Cable: PUR
 (4 pole length 3 and 5 metres PVC.
 8 pole length 10 metres PVC.
 12 pole length 10 metres PVC).
 Insulation braid: PP
 (4 pole length 3 and 5 metres PVC.
 8 pole length 10 metres PVC.
 12 pole length 10 metres PVC).
 Contact: copper alloy.
 Contact surface: Au (gold).
 Lock: nickel plated die-cast zinc.

Version:

Bush (female).
 Housing colour: black.
 Cable colour: black.

Note:

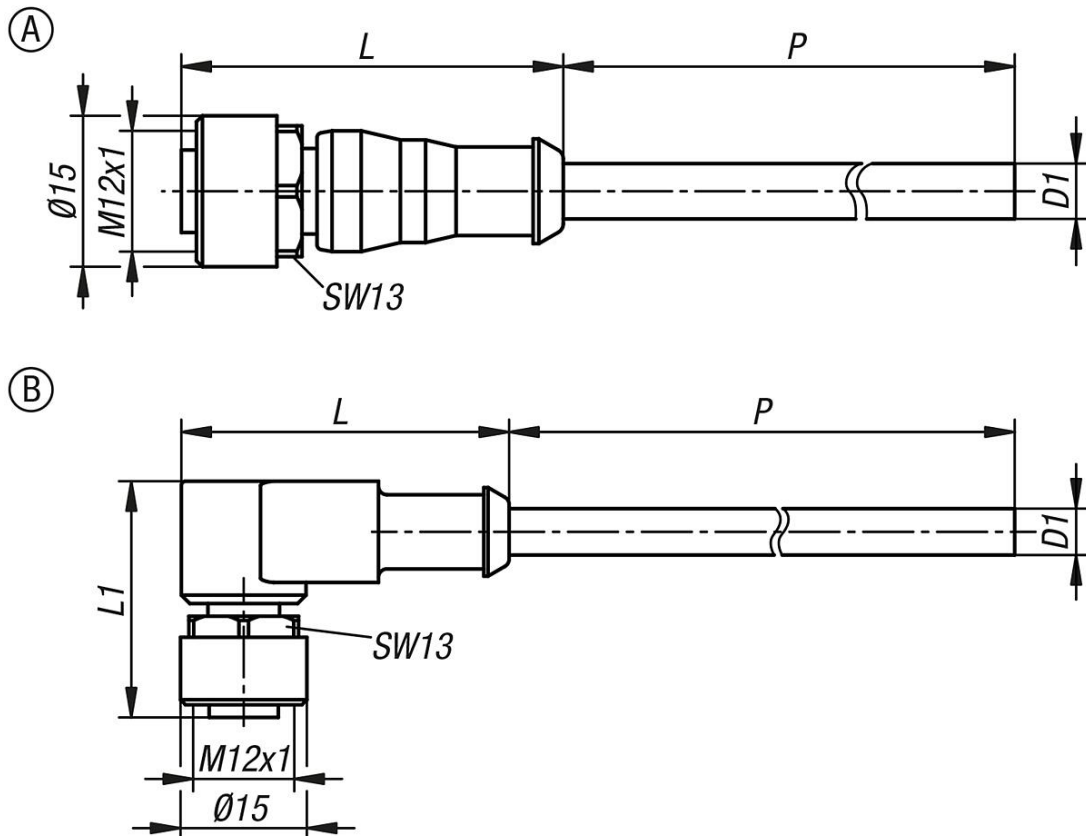
Connector with screw lock.
 Connector moulded to cable.
 Wire ID acc. to DIN 47100 colour code.
 Coding A. Recommended tightening torque for the lock 0.6 Nm.
 The connectors are designed for use in plant, control and electrical appliance construction.

Technical data:

No. of connection cycles: ≥ 100 .

Connectors bush M12x1 with screw lock

Drawings



Overview of items

Connector bush M12x1, with screw lock

Order No.	Version 2	Form	Form definition	P	D1	L	No. of conductors x conductor cross-section	Safety rating	Operating voltage V
K1498.1203X2000	3-pin	A	straight bush	2000	4,1	38	3 x 0,34 mm ²	IP65/IP67	250 AC / 250 DC
K1498.1203X5000	3-pin	A	straight bush	5000	4,1	38	3 x 0,34 mm ²	IP65/IP67	250 AC / 250 DC
K1498.1204X3000	4-pole	A	straight bush	3000	5	38	N=4 X 0,34 mm ²	IP65/IP67	250 AC / 250 DC
K1498.1204X5000	4-pole	A	straight bush	5000	5	38	N=4 X 0,34 mm ²	IP65/IP67	250 AC / 250 DC
K1498.1208X2500	8-pin	A	straight bush	2500	5,8	43,5	8 x 0,25 mm ²	IP65/IP67	30 AC / 30 DC
K1498.1208X5000	8-pin	A	straight bush	5000	5,8	43,5	8 x 0,25 mm ²	IP65/IP67	30 AC / 30 DC
K1498.1208X10000	8-pin	A	straight bush	10000	6	43,5	8 x 0,25 mm ²	IP65/IP67	30 AC / 30 DC
K1498.1212X3000	12-pin	A	straight bush	3000	6	43,5	12 x 0,14 mm ²	IP65/IP67	30 AC / 30 DC
K1498.1212X5000	12-pin	A	straight bush	5000	6	43,5	12 x 0,14 mm ²	IP65/IP67	30 AC / 30 DC
K1498.1212X10000	12-pin	A	straight bush	10000	6	43,5	12 x 0,14 mm ²	IP65/IP67	30 AC / 30 DC
K1498.11203X2000	3-pin	B	angled bush	2000	4,1	39	3 x 0,34 mm ²	IP65/IP67	250 AC / 250 DC
K1498.11203X5000	3-pin	B	angled bush	5000	4,1	39	3 x 0,34 mm ²	IP65/IP67	250 AC / 250 DC
K1498.11204X3000	4-pole	B	angled bush	3000	5	39	N=4 X 0,34 mm ²	IP65/IP67	250 AC / 250 DC
K1498.11204X5000	4-pole	B	angled bush	5000	5	39	N=4 X 0,34 mm ²	IP65/IP67	250 AC / 250 DC
K1498.11208X3000	8-pin	B	angled bush	3000	5,8	39	8 x 0,25 mm ²	IP65/IP67	30 AC / 30 DC
K1498.11208X5000	8-pin	B	angled bush	5000	5,8	39	8 x 0,25 mm ²	IP65/IP67	30 AC / 30 DC
K1498.11208X10000	8-pin	B	angled bush	10000	6	39	8 x 0,25 mm ²	IP65/IP67	30 AC / 30 DC
K1498.11212X3000	12-pin	B	angled bush	3000	6	39	12 x 0,14 mm ²	IP65/IP67	30 AC / 30 DC
K1498.11212X5000	12-pin	B	angled bush	5000	6	39	12 x 0,14 mm ²	IP65/IP67	30 AC / 30 DC
K1498.11212X10000	12-pin	B	angled bush	10000	6	39	12 x 0,14 mm ²	IP65/IP67	30 AC / 30 DC

Connectors bush M12x1 with screw lock

Overview of items

Order No.	Rated surge voltage V	Rated current (40 °C) A	Conductive resistance (20 °C) Ω/Km	Contamination level	Nominal voltage V	Test voltage V
K1498.1203X2000	2500	4	57	3	300 AC	2500 AC
K1498.1203X5000	2500	4	57	3	300 AC	2500 AC
K1498.1204X3000	2500	4	60	3	300 AC	2000 AC
K1498.1204X5000	2500	4	60	3	300 AC	2000 AC
K1498.1208X2500	800	2	79	3	300 AC	2500 AC
K1498.1208X5000	800	2	79	3	300 AC	2500 AC
K1498.1208X10000	800	2	79	3	300 AC	2000 AC
K1498.1212X3000	800	1,5	138	3	300 AC	1500 AC
K1498.1212X5000	800	1,5	138	3	300 AC	1500 AC
K1498.1212X10000	800	1,5	138	3	300 AC	1500 AC
K1498.11203X2000	2500	4	57	3	300 AC	2500 AC
K1498.11203X5000	2500	4	57	3	300 AC	2500 AC
K1498.11204X3000	2500	4	60	3	300 AC	2000 AC
K1498.11204X5000	2500	4	60	3	300 AC	2000 AC
K1498.11208X3000	800	2	79	3	300 AC	2500 AC
K1498.11208X5000	800	2	79	3	300 AC	2500 AC
K1498.11208X10000	800	2	79	3	300 AC	2000 AC
K1498.11212X3000	800	1,5	138	3	300 AC	1500 AC
K1498.11212X5000	800	1,5	138	3	300 AC	1500 AC
K1498.11212X10000	800	1,5	138	3	300 AC	1500 AC

Order No.	Cable bend radius moving	Cable bend radius fixed	Number of bend cycles max.	Temperature range cable moving	Temperature range cable fixed	EMC capability	Halogen-free
K1498.1203X2000	≥ 10 x D1	≥ 5 x D1	10000000 (25 °C)	-25 °C - +80 °C	-40 °C - +80 °C	-	yes
K1498.1203X5000	≥ 10 x D1	≥ 5 x D1	10000000 (25 °C)	-25 °C - +80 °C	-40 °C - +80 °C	-	yes
K1498.1204X3000	≥ 10 x D1	≥ 5 x D1	10000000 (25 °C)	-5 °C - +80 °C	-30 °C - +80 °C	-	no
K1498.1204X5000	≥ 10 x D1	≥ 5 x D1	10000000 (25 °C)	-5 °C - +80 °C	-30 °C - +80 °C	-	no
K1498.1208X2500	≥ 10 x D1	≥ 5 x D1	10000000 (25 °C)	-25 °C - +80 °C	-40 °C - +80 °C	-	yes
K1498.1208X5000	≥ 10 x D1	≥ 5 x D1	10000000 (25 °C)	-25 °C - +80 °C	-40 °C - +80 °C	-	yes
K1498.1208X10000	≥ 10 x D1	≥ 5 x D1	2000000 (25 °C)	-5 °C - +80 °C	-30 °C - +80 °C	-	no
K1498.1212X3000	≥ 10 x D1	≥ 7,5 X D1	2000000 (25 °C)	-25 °C - +85 °C	-40 °C - +85 °C	-	yes
K1498.1212X5000	≥ 10 x D1	≥ 7,5 X D1	2000000 (25 °C)	-25 °C - +85 °C	-40 °C - +85 °C	-	yes
K1498.1212X10000	≥ 10 x D1	≥ 7,5 X D1	2000000 (25 °C)	-5 °C - +70 °C	-30 °C - +70 °C	-	no
K1498.11203X2000	≥ 10 x D1	≥ 5 x D1	10000000 (25 °C)	-25 °C - +80 °C	-40 °C - +80 °C	-	yes
K1498.11203X5000	≥ 10 x D1	≥ 5 x D1	10000000 (25 °C)	-25 °C - +80 °C	-40 °C - +80 °C	-	yes
K1498.11204X3000	≥ 10 x D1	≥ 5 x D1	10000000 (25 °C)	-5 °C - +80 °C	-30 °C - +80 °C	-	no
K1498.11204X5000	≥ 10 x D1	≥ 5 x D1	10000000 (25 °C)	-5 °C - +80 °C	-30 °C - +80 °C	-	no
K1498.11208X3000	≥ 10 x D1	≥ 5 x D1	10000000 (25 °C)	-25 °C - +80 °C	-40 °C - +80 °C	-	yes
K1498.11208X5000	≥ 10 x D1	≥ 5 x D1	10000000 (25 °C)	-25 °C - +80 °C	-40 °C - +80 °C	-	yes
K1498.11208X10000	≥ 10 x D1	≥ 5 x D1	2000000 (25 °C)	-5 °C - +80 °C	-30 °C - +80 °C	-	no
K1498.11212X3000	≥ 10 x D1	≥ 7,5 X D1	2000000 (25 °C)	-25 °C - +85 °C	-40 °C - +85 °C	-	yes
K1498.11212X5000	≥ 10 x D1	≥ 7,5 X D1	2000000 (25 °C)	-25 °C - +85 °C	-40 °C - +85 °C	-	yes
K1498.11212X10000	≥ 10 x D1	≥ 7,5 X D1	2000000 (25 °C)	-55 °C - +70 °C	-30 °C - +70 °C	-	no