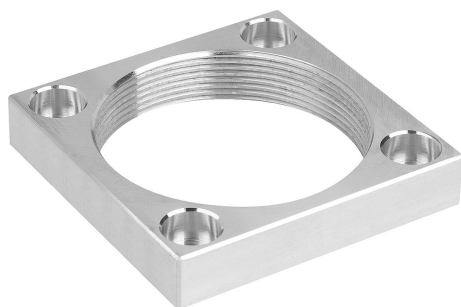


Threaded flange aluminium

Item description/product images



Description

Material:

Aluminium.

Note:

The aluminium threaded flange can be used as a mounting base for swing clamps.

The fastening holes of the threaded flange have the same dimensions as those of the pneumatic screw-in swing clamps with flange (K1818) and the pneumatic screw-in link clamps with flange (K1819).

Can be used to secure to the fixture with a slotted round nut.

Advantages:

Additional thread must be cut into the fixtures mounting plate.

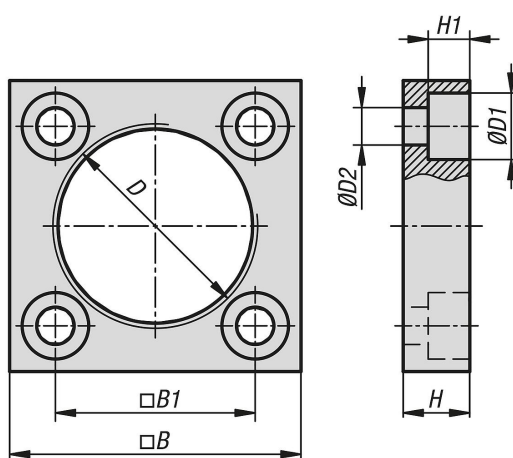
Accessory:

K1819 Pneumatic link clamp, screw-on with flange.

K1814 Pneumatic swing clamp, screw-on.

K1818 Pneumatic swing clamp, screw-on with flange.

Drawings



Overview of items

Threaded flange aluminium

Order No.	Size	B	B1	D	D1	D2	H	H1
K1820.12	12	35	24	M25x1,5	8	4,5	8	5
K1820.16	16	40	29	M30x1,5	8	4,5	8	5
K1820.20	20	45	32	M35x1,5	9	5,5	9	6
K1820.25	25	50	37	M40x1,5	9	5,5	9	6
K1820.32	32	60	45	M50x1,5	11	6,5	12	7
K1820.40	40	65	50	M55x1,5	11	6,5	12	7
K1820.50	50	75	58	M65x1,5	13	8,5	15	9
K1820.63	63	88	70	M80x1,5	13	8,5	15	9

