

End washer aluminium

Item description/product images



Description

Product description:

The end washers are designed for round pull handles. The washer enlarges the screw-on surface, thus minimising the risk of breaking through with thin-walled sheets.

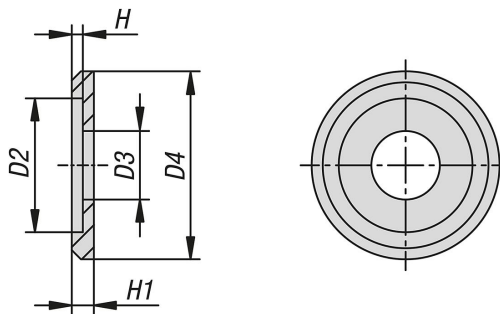
Material:

Aluminium.

Version:

Natural or black anodised.

Drawings



Overview of items

End washers, aluminium

Order No.	Main colour	D2	D3	D4	H	H1	for screws
K0201.5	natural	8,1	4,2	12,5	1	2	M4
K0201.3	natural	10,1	5,2	15	1	2	M5
K0201.7	natural	12,1	6,2	17	1	2	M6
K0201.4	black	8,1	4,2	12,5	1	2	M4
K0201.1	black	10,1	5,2	15	1	2	M5
K0201.6	black	12,1	6,2	17	1	2	M6