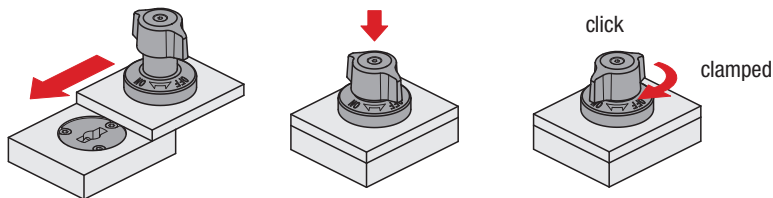


Technical Information

Quarter-turn clamp lock K1558 and clamping plate K1062



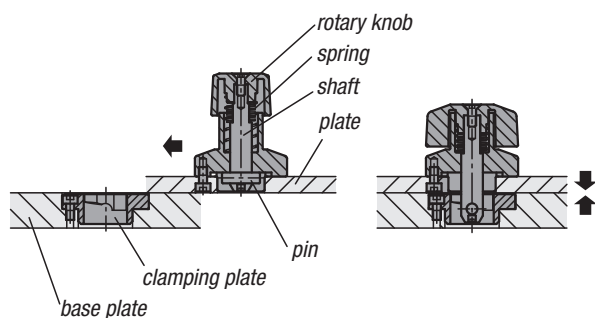
1. Application:



Check that the rotary knob is in the "OFF" position and that the pin is retracted.
 Push or place the quarter-turn clamp lock over the premounted clamping plate.
 Press the rotary knob down and turn to the "ON" position.
 When fully clamped, a click sound is heard.

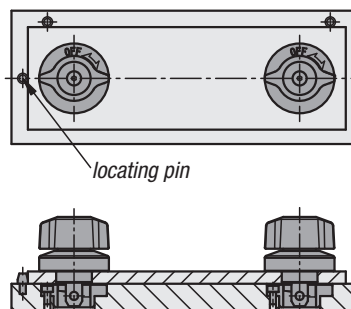
2. Function:

The knob is linked to the centre pin with a transverse pin. When the knob of the quarter-turn clamp lock is turned, the centre pin engages with the clamping plate and locks the components together.

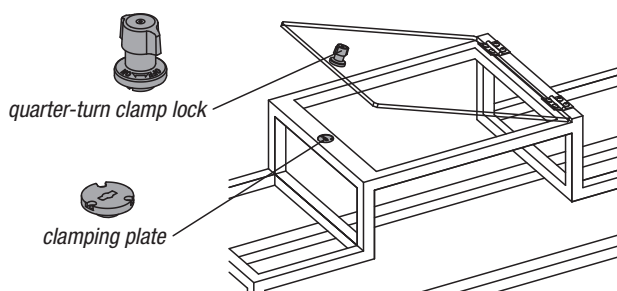
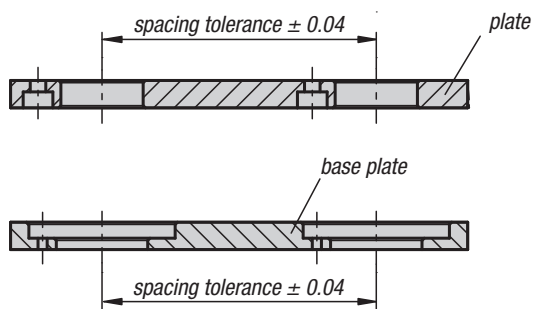


Repeat accuracy:

A higher repeat accuracy can be achieved with the aid of additional locating pins (not supplied).



Production tolerances:



Application examples:

