

## Knurled nuts plastic, antistatic

### Item description/product images



### Description

#### Material:

Reinforced polyamide thermoplastic, graphite grey.  
Screw steel 5.8.

#### Version:

Tapped bush trivalent blue passivated.

#### Application:

Sensitive electrical or electronic equipment, components and devices (ESD sensitive elements) may be damaged or destroyed by electrostatic discharges (ESD) in the immediate vicinity.

Electrostatic discharges can come from people or through handling ESD sensitive components (e.g. during production, assembly, transport, storage etc).

Electrically conductive products which conform to DIN EN 61340-5-1 are essential within electronic environments to prevent an electrostatic discharge.

These products can be used for ESD applications or in ESD protection areas (EPA) in accordance with DIN EN 61340-5-1.

#### Advantages:

To protect sensitive electrical or electronic parts, components and devices.

Areas of application: electrical assembly, equipment construction according to ATEX directives.

Made from a special electrically conductive plastic.

ESD operating parts have been specially designed for use in ESD protected areas.

The knurled nuts can be tightened or loosened without tools.

#### Safety:

These ESD products can also be used for devices, components and protection systems in areas with high risk of explosion.

Use of these ESD products prevents the occurrence of electrostatic spark discharges, eliminating the potential ignition of gases and dusts which could lead to explosions in enclosed spaces.

Manufacturers and operators must use and conform to ATEX directives for the protection of persons working in areas with high risk of explosion.

These ESD products are certified by TÜV-Süd in relation to their electrical discharge capability.

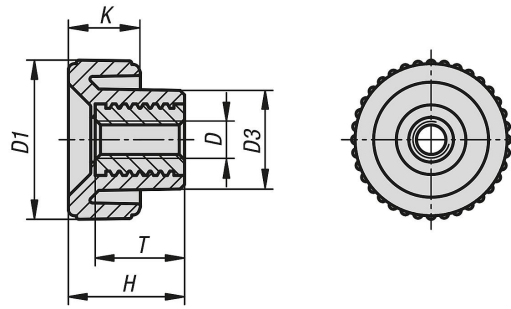
#### Target groups:

Device manufacturers required to conform to ATEX product directive 2014/34/EU.

Operators required to conform to ATEX worker protection directive 1999/92/EC.

# Knurled nuts plastic, antistatic

## Drawings



## Overview of items

### Knurled nuts plastic, antistatic

Order No.	D	D1	D3	H	K	T
K1472.11180424	M4	18	11	13	8	10
K1472.11200524	M5	20	13,6	15	9	10
K1472.11250624	M6	25	14	17	10	10
K1472.11320824	M8	32	18	22	13	14
K1472.11401024	M10	40	19	25	14	14