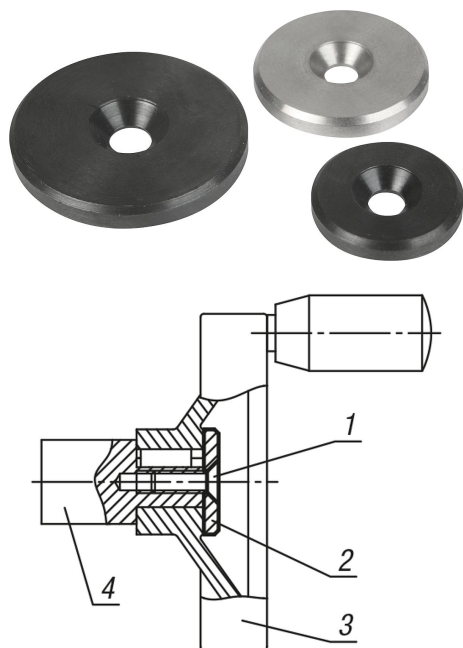


Handwheel washers

Item description/product images



Description

Material:

Steel.
Stainless steel 1.4305.

Version:

Steel black oxidised.
Stainless steel bright.

Note:

These washers are used together with DIN EN ISO 2009 or DIN EN ISO 10642 countersunk screws on the end of shafts with keyways to secure handwheels and crank handles.

The washers can be used with the handwheels K0671, K0160, K0161, K0162, K0163, K0164, K0165.

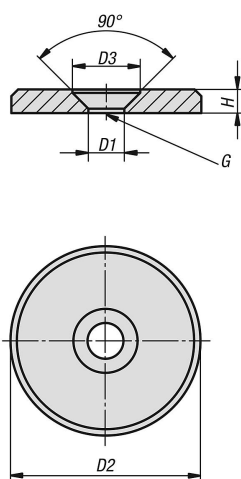
The steel washers are often used as caps for magnets.

Drawing reference:

D3 = for countersunk screw ISO 2009 and ISO 10642

- 1) countersunk screw ISO 2009 and ISO 10642
- 2) washer
- 3) handwheel
- 4) shaft

Drawings



Overview of items

Handwheel washers

Order No.	Main material	D1	D2	D3	H	G
K0173.00310	steel	3,2	10	6	2	M3
K0173.00313	steel	3,2	13	6	2	M3

Handwheel washers

Overview of items

Order No.	Main material	D1	D2	D3	H	G
K0173.00416	steel	4,3	16	8,4	3	M4
K0173.00420	steel	4,3	20	8,4	3	M4
K0173.00520	steel	5,3	20	10	3,5	M5
K0173.00522	steel	5,3	22	10	3,5	M5
K0173.00525	steel	5,3	25	10	3,5	M5
K0173.00528	steel	5,3	28	10	3,5	M5
K0173.00630	steel	6,4	30	12	4	M6
K0173.00632	steel	6,4	32	12	4	M6
K0173.00636	steel	6,4	36	12	4	M6
K0173.00640	steel	6,4	40	12	5	M6
K0173.00645	steel	6,4	45	12	6	M6
K0173.00652	steel	6,4	52	12	6	M6
K0173.10310	stainless steel	3,2	10	6	2	M3
K0173.10313	stainless steel	3,2	13	6	2	M3
K0173.10416	stainless steel	4,3	16	8,4	3	M4
K0173.10420	stainless steel	4,3	20	8,4	3	M4
K0173.10520	stainless steel	5,3	20	10	3,5	M5
K0173.10522	stainless steel	5,3	22	10	3,5	M5
K0173.10525	stainless steel	5,3	25	10	3,5	M5
K0173.10528	stainless steel	5,3	28	10	3,5	M5
K0173.10630	stainless steel	6,4	30	12	4	M6
K0173.10632	stainless steel	6,4	32	12	4	M6
K0173.10636	stainless steel	6,4	36	12	4	M6
K0173.10640	stainless steel	6,4	40	12	5	M6
K0173.10645	stainless steel	6,4	45	12	6	M6
K0173.10652	stainless steel	6,4	52	12	6	M6