

## Star grips, plastic with protruding steel bush

### Item description/product images



### Description

#### Product description:

The thermoset star grip is distinguished by its closed grip contour. The contact surface of the protruding steel bush is vertical to the thread axis and ensures a firm screw connection.

#### Material:

Thermoset PF 31.  
Steel grade 5.8 or stainless steel 1.4305.

#### Version:

Thermoset black, high-gloss polished.  
Metal parts trivalent blue passivated steel or bright stainless steel.

#### Advantages:

Wear resistant contact surface  
Closed grip contour

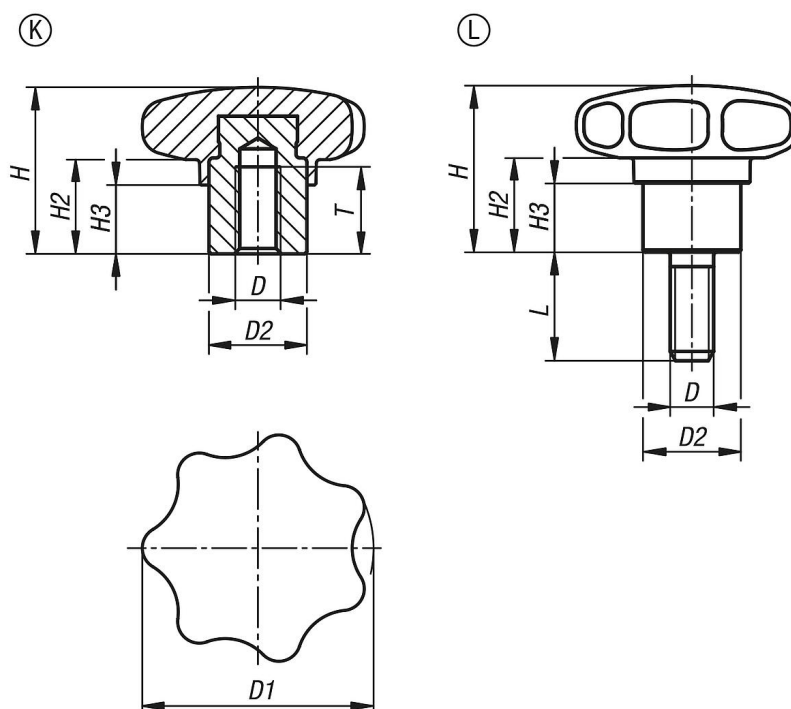
#### On request:

Form H: bush with blind hole

#### Drawing reference:

Form K: tapped bush  
Form L: external thread

### Drawings



### Overview of items

#### Star grips plastic with protruding steel bush

## Star grips, plastic with protruding steel bush

### Overview of items

Order No.	Component material	Form	D	D1	D2	H	H2	H3	L	T
K1514.23206	steel	K	M6	32	13,5	23	13	9,5	-	12
K1514.24006	steel	K	M6	40	13,5	25	13	10	-	12
K1514.24008	steel	K	M8	40	13,5	25	13	10	-	12
K1514.25008	steel	K	M8	50	19	32	17	12	-	17
K1514.25010	steel	K	M10	50	19	32	17	12	-	17
K1514.26310	steel	K	M10	63	19	40	20	15	-	17
K1514.26312	steel	K	M12	63	19	40	20	15	-	17
K1514.33206	stainless steel	K	M6	32	13,5	23	13	9,5	-	12
K1514.34006	stainless steel	K	M6	40	13,5	25	13	10	-	12
K1514.34008	stainless steel	K	M8	40	13,5	25	13	10	-	12
K1514.35008	stainless steel	K	M8	50	19	32	17	12	-	17
K1514.35010	stainless steel	K	M10	50	19	32	17	12	-	17
K1514.36310	stainless steel	K	M10	63	19	40	20	15	-	17
K1514.36312	stainless steel	K	M12	63	19	40	20	15	-	17
K1514.43206X10	steel	L	M6	32	13,5	23	13	9,5	10	-
K1514.43206X15	steel	L	M6	32	13,5	23	13	9,5	15	-
K1514.43206X20	steel	L	M6	32	13,5	23	13	9,5	20	-
K1514.43206X25	steel	L	M6	32	13,5	23	13	9,5	25	-
K1514.43206X30	steel	L	M6	32	13,5	23	13	9,5	30	-
K1514.44008X15	steel	L	M8	40	13,5	25	13	10	15	-
K1514.44008X20	steel	L	M8	40	13,5	25	13	10	20	-
K1514.44008X25	steel	L	M8	40	13,5	25	13	10	25	-
K1514.44008X30	steel	L	M8	40	13,5	25	13	10	30	-
K1514.44008X40	steel	L	M8	40	13,5	25	13	10	40	-
K1514.44008X50	steel	L	M8	40	13,5	25	13	10	50	-
K1514.45010X20	steel	L	M10	50	19	32	17	12	20	-
K1514.45010X25	steel	L	M10	50	19	32	17	12	25	-
K1514.45010X30	steel	L	M10	50	19	32	17	12	30	-
K1514.45010X40	steel	L	M10	50	19	32	17	12	40	-
K1514.45010X50	steel	L	M10	50	19	32	17	12	50	-
K1514.45010X60	steel	L	M10	50	19	32	17	12	60	-
K1514.46312X20	steel	L	M12	63	19	40	20	15	20	-
K1514.46312X25	steel	L	M12	63	19	40	20	15	25	-
K1514.46312X30	steel	L	M12	63	19	40	20	15	30	-
K1514.46312X40	steel	L	M12	63	19	40	20	15	40	-
K1514.46312X50	steel	L	M12	63	19	40	20	15	50	-
K1514.46312X60	steel	L	M12	63	19	40	20	15	60	-
K1514.53206X10	stainless steel	L	M6	32	13,5	23	13	9,5	10	-
K1514.53206X15	stainless steel	L	M6	32	13,5	23	13	9,5	15	-
K1514.53206X20	stainless steel	L	M6	32	13,5	23	13	9,5	20	-
K1514.53206X25	stainless steel	L	M6	32	13,5	23	13	9,5	25	-
K1514.53206X30	stainless steel	L	M6	32	13,5	23	13	9,5	30	-
K1514.54008X15	stainless steel	L	M8	40	13,5	25	13	10	15	-
K1514.54008X20	stainless steel	L	M8	40	13,5	25	13	10	20	-
K1514.54008X25	stainless steel	L	M8	40	13,5	25	13	10	25	-
K1514.54008X30	stainless steel	L	M8	40	13,5	25	13	10	30	-
K1514.54008X40	stainless steel	L	M8	40	13,5	25	13	10	40	-
K1514.54008X50	stainless steel	L	M8	40	13,5	25	13	10	50	-
K1514.55010X20	stainless steel	L	M10	50	19	32	17	12	20	-
K1514.55010X25	stainless steel	L	M10	50	19	32	17	12	25	-
K1514.55010X30	stainless steel	L	M10	50	19	32	17	12	30	-
K1514.55010X40	stainless steel	L	M10	50	19	32	17	12	40	-
K1514.55010X50	stainless steel	L	M10	50	19	32	17	12	50	-
K1514.55010X60	stainless steel	L	M10	50	19	32	17	12	60	-
K1514.56312X20	stainless steel	L	M12	63	19	40	20	15	20	-
K1514.56312X25	stainless steel	L	M12	63	19	40	20	15	25	-
K1514.56312X30	stainless steel	L	M12	63	19	40	20	15	30	-
K1514.56312X40	stainless steel	L	M12	63	19	40	20	15	40	-
K1514.56312X50	stainless steel	L	M12	63	19	40	20	15	50	-
K1514.56312X60	stainless steel	L	M12	63	19	40	20	15	60	-

