

## Single leaf hinges adjustable, stainless steel

Item description/product images



### Description

**Material:**

Stainless steel 1.4571.

**Version:**

Satin finished.

**Note:**

Single leaf hinge for inwards opening doors, screws on from outside. A screw on the hinge pin allows height adjustment of  $\pm 4$  mm.

The addition of titanium in stainless steel 1.4571 increases the corrosion resistance.

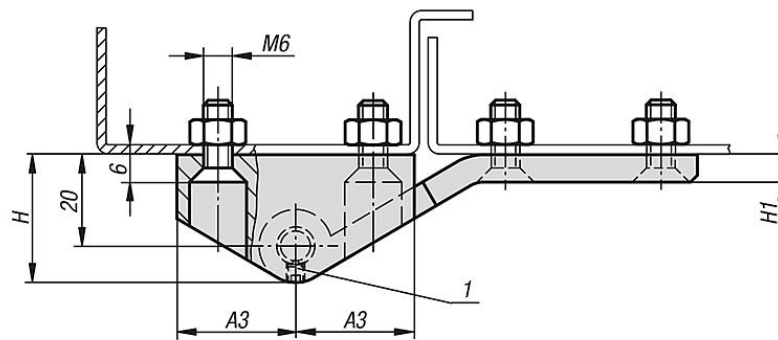
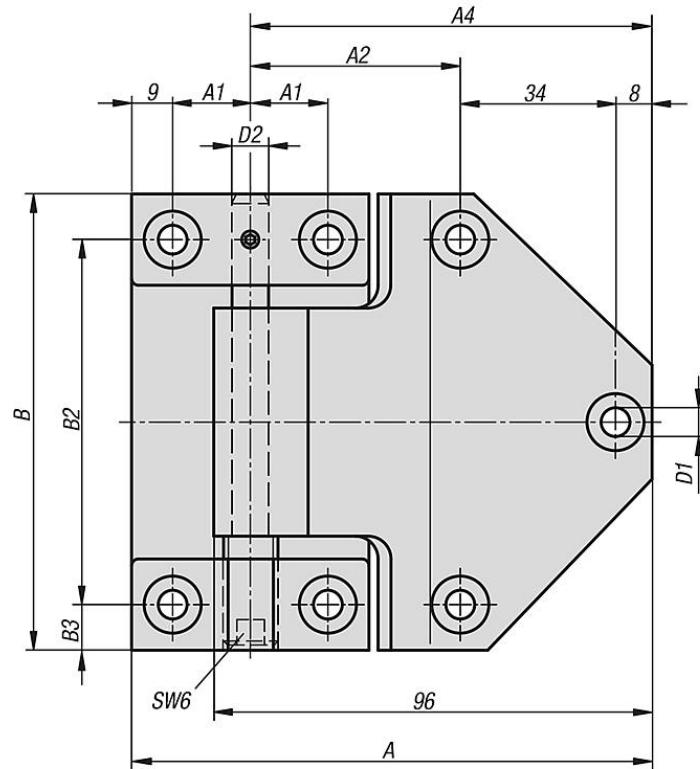
The opening angle is max. 180°.

**Drawing reference:**

1) grub screw M4, DIN 916

**Single leaf hinges adjustable, stainless steel**

**Drawings**



**Overview of items**

**Single leaf hinges, adjustable, stainless steel**

Order No.	A	A1	A2	A3	A4	B	B2	B3	D1	D2	H	H1
K1346.06884617	114	17	46	26	88	100	80	10	6,3	8	28	6