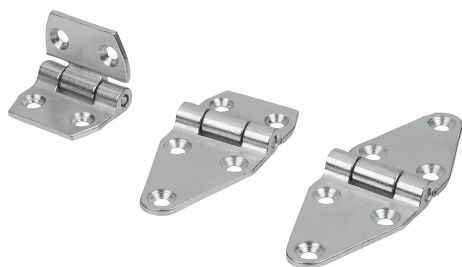


Hinges steel maintenance-free

Item description/product images

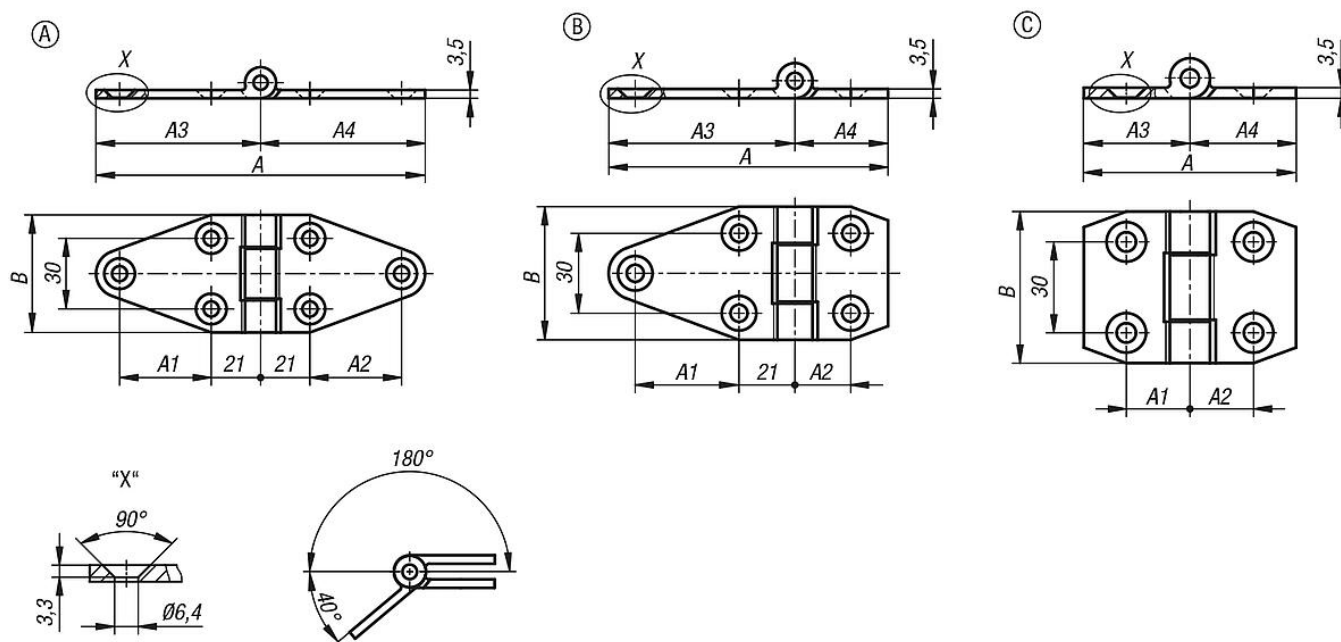


Description

Material:
Profile steel.
Bush Metaloplast.

Version:
Steel parts electro zinc-plated.

Drawings



Overview of items

Hinges steel, maintenance-free

| Order No. | Form | A | A1 | A2 | A3 | A4 | B |
|----------------|------|-----|----|----|----|----|----|
| K1141.06707050 | A | 140 | 39 | 39 | 70 | 70 | 50 |
| K1141.06703550 | B | 105 | 39 | 21 | 70 | 35 | 50 |
| K1141.06353550 | C | 70 | 21 | 21 | 35 | 35 | 50 |