

## Quarter-turn locks, stainless steel, lockable

### Item description/product images



### Description

**Material:**

Quarter-turn lock 1.4401 stainless steel.

Tongue 1.4301 stainless steel.

**Version:**

Bright.

**Note:**

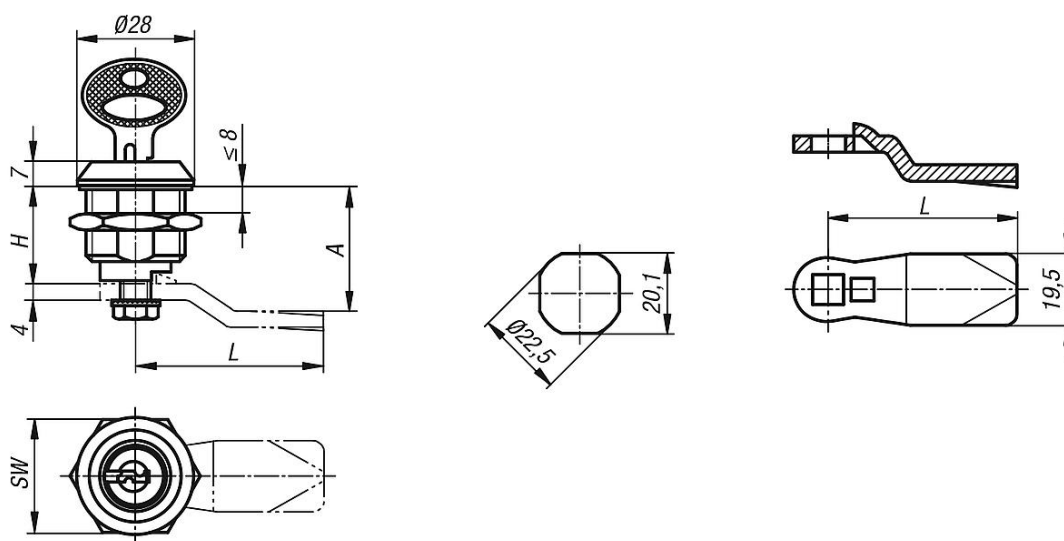
Lockable quarter-turn lock for right or left mounting with 90° closing. The quarter-turn lock can be installed pre-assembled. This lockable quarter-turn lock is supplied with 2 keys. The key can be removed in both the closed and open position. The cylinder locks have a single-key system i.e. the same key works in all locks (lock type 1333).

Please order required tongue separately. Every tongue can be combined with this housing.

**Accessory:**

Tongue for stainless steel quarter-turn lock K1114.

### Drawings



### Overview of items

#### Quarter-turn lock, stainless steel, lockable

Order No.	Actuation	H	SW
K1107.186	key single-key system	18	27

#### Tongue for quarter-turn lock

**Quarter-turn locks, stainless steel, lockable****Overview of items**

Order No.	A for housing length H=18	L
K1114.245X180	18	45
K1114.245X200	20	45
K1114.245X240	24	45
K1114.245X280	28	45
K1114.245X320	32	45
K1114.245X340	34	45
K1114.245X360	36	45
K1114.245X380	38	45
K1114.245X400	40	45
K1114.245X420	42	45