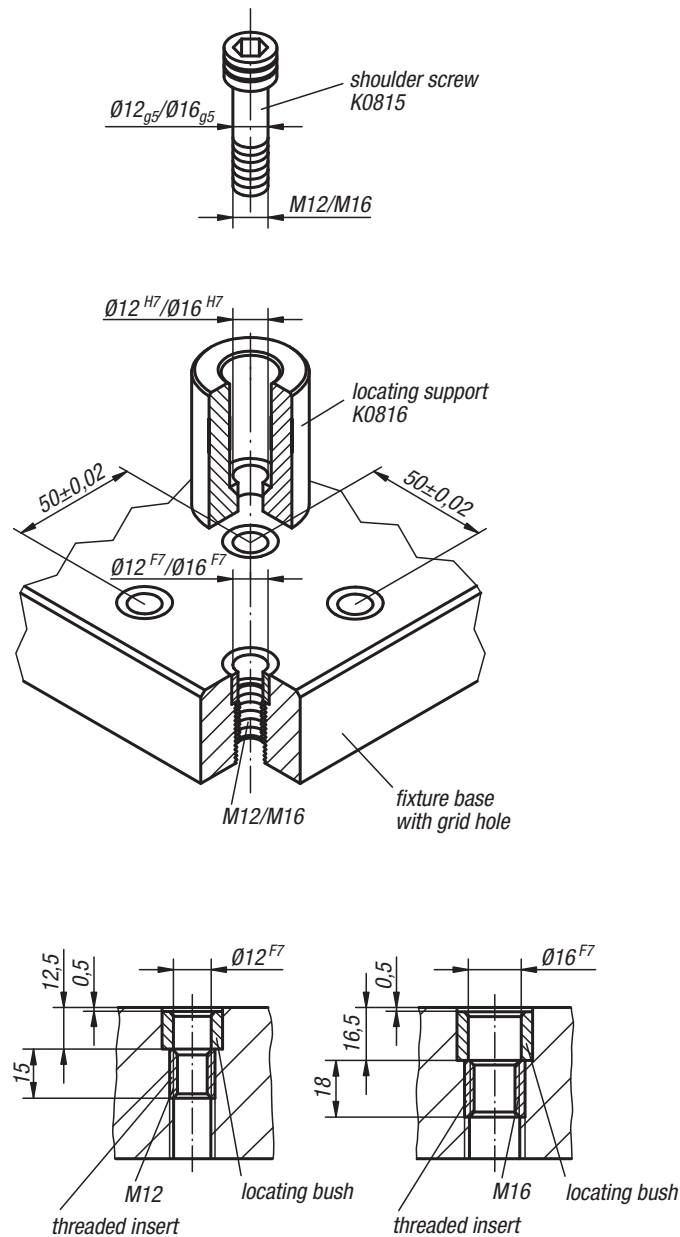


Grid holes and pitches



Grid hole:

The characteristic feature of the grid hole is its dual function: the coaxial arrangement of the locating and the threaded parts allows positioning and fastening at the same time with one grid hole (see illustrations). As a result, the size of the fixture elements can be reduced to a minimum and their flexibility increased accordingly.

Each grid hole consists of two parts:

- a) reamed bush. Material: hardened tool steel.
- b) threaded insert. Material: carbon steel, tempered to ca. 1100-1300 N/mm².

Since the reamed bushes are recessed 0.5 mm from the surface of the fixture bases, the mounting surfaces can be re-machined in the event of wear.