

## Ball lock bushes with twist lock

### Item description/product images



### Description

#### Material:

Housing and locking elements steel.

Balls and springs stainless steel.

#### Version:

Housing and locking element nickel-plated.

Balls tempered.

#### Note:

The 3 balls inside the bushing hold the locking pin with the specified retaining force.

The element is secured or released by twisting the bottom part of the bush.

Installation option 1: min. plate thickness 6 mm.

Installation option 2: max. plate thickness 10 mm.

Installation option 3: plate thickness > 10 mm.

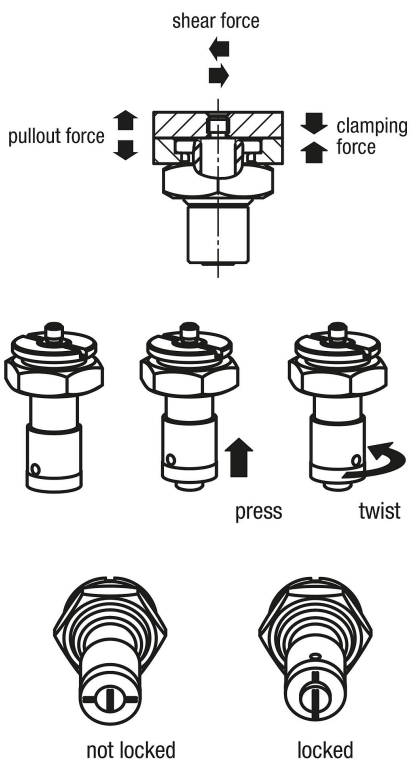
Installation option 4: blind hole.

#### On request:

Suitable nuts.

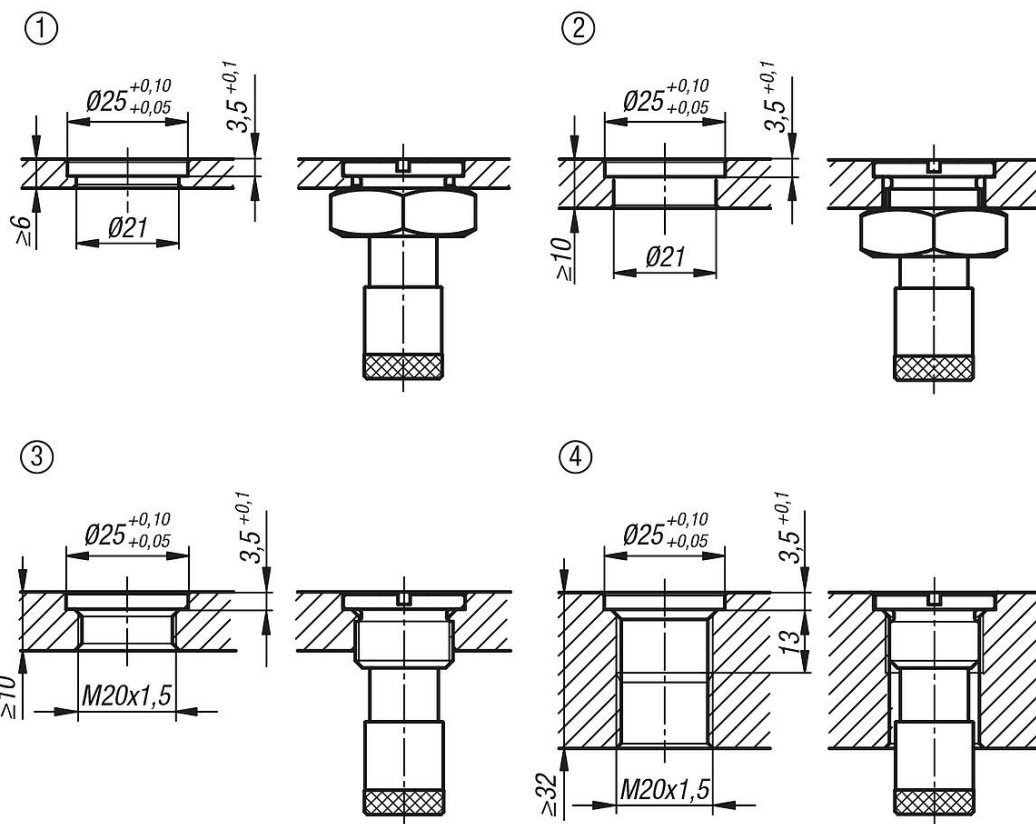
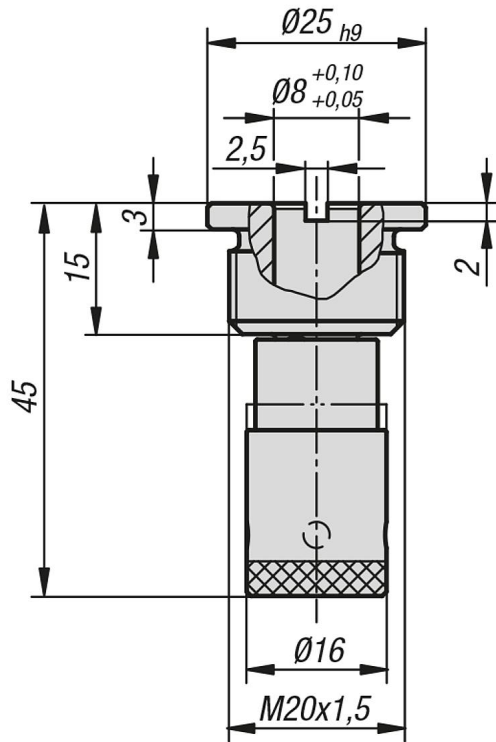
#### Accessory:

Locking pin K1067.



Ball lock bushes with twist lock

Drawings



Overview of items

## Ball lock bushes with twist lock

### Overview of items

---

#### Ball lock bushes with twist lock

Order No.	Clamping force N	Shearing force kN	Pullout force F kN	Temperature resistance
K1066.71	7	1,8	1,8	≤180 °C
K1066.151	15	1,8	1,8	≤180 °C