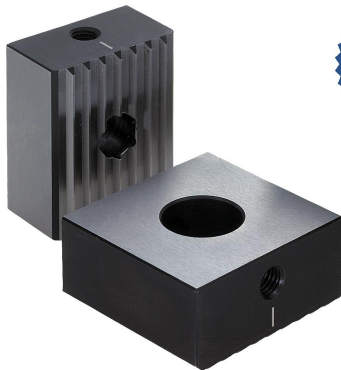


## Stops

### Item description/product images



- 40 %

### Description

#### Material:

Carbon steel 1.0503.

#### Version:

Hard stop:

Tempered to 1200–1400 N/mm<sup>2</sup>, black oxidised.

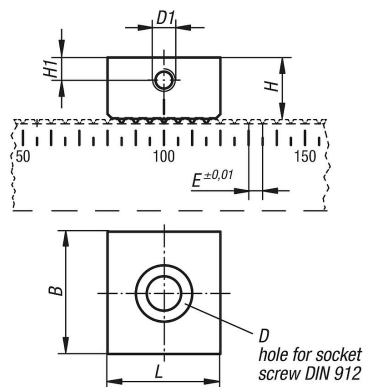
Serrations ground, bright.

Soft stop:

Hardness HRC 30, black oxidised.

Serrations case hardened and ground, bright.

### Drawings



### Overview of items

#### Stops

Order No.	Version 1	B	D	D1	E	H	H1	L
K0905.5000802	hard stop	24	M8x25	M5	2,5	15	6	25 ±0,01
K0905.5100802	soft stop	24	M8x25	M5	2,5	15	6	31 ±0,1
K0905.5101202	soft stop	48	M12x30	M8	5	22	8	50 ±0,1