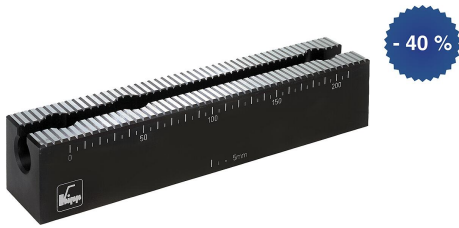


Base rails

Item description/product images

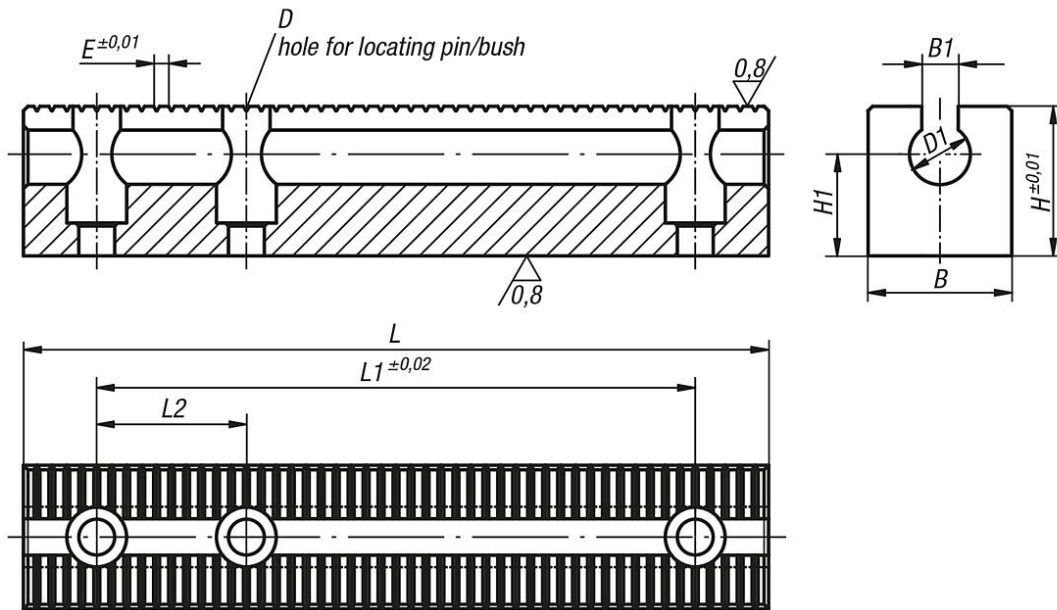


Description

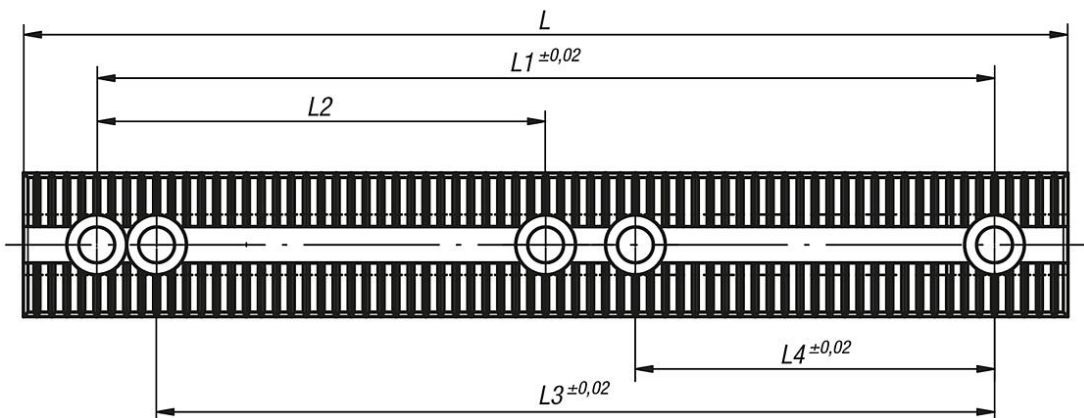
Material:
Carbon steel 1.0503.

Version:
Black oxidised.
Serrations case hardened and ground.

Drawings



K0904.5021201



Overview of items

Base rails

Order No.	B	B1	D	D1	E	H	H1	L	L1	L2	L3	L4	weight kg
K0904.5000801	24	8,2	12H6	14,2	2,5	40	25	199	150	50 ± 0,01	-	-	1,1

Base rails

Overview of items

Order No.	B	B1	D	D1	E	H	H1	L	L1	L2	L3	L4	weight kg
K0904.5001201	48	12,2	12F7	20,2	5	50	34	249	200	50 ±0,01	-	-	3,7