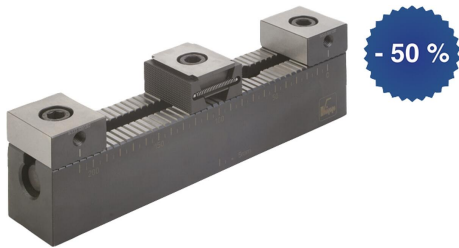


Multi-clamping system hard stops

Item description/product images



Description

Material:

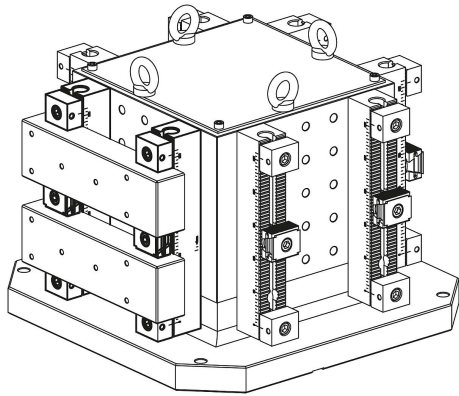
Base rail, stops and wedge clamp carbon steel.

Version:

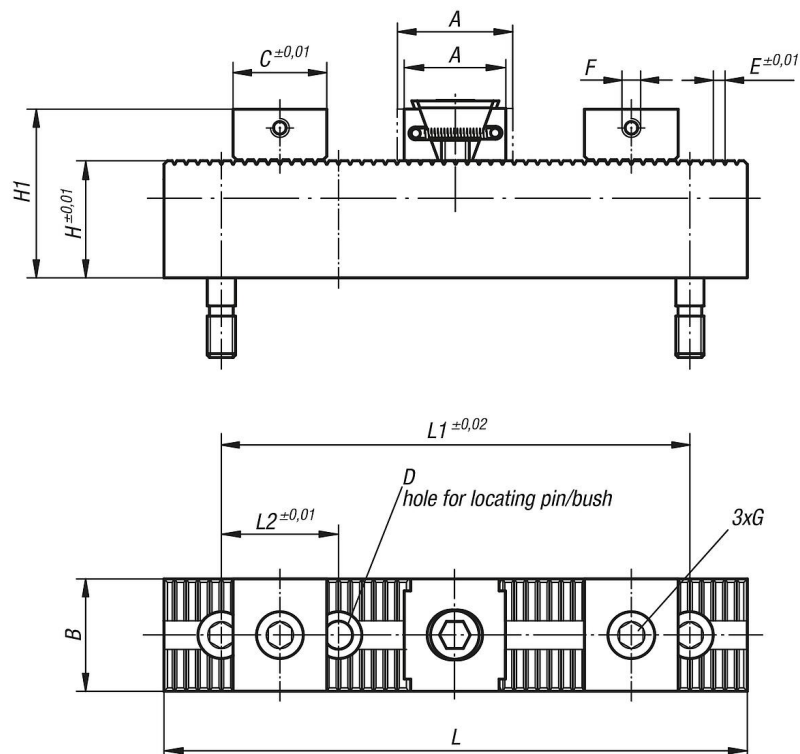
Serrations case hardened and ground.

Stops tempered.

Clamping jaws hardened and black oxidised.



Drawings



Overview of items

