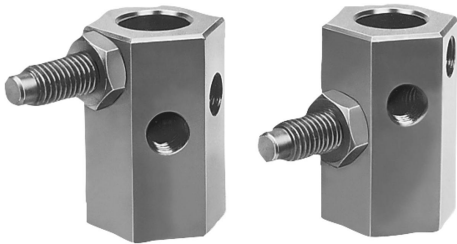


Adjustable stops

Item description/product images



Description

Material:

Body and set screw carbon steel.

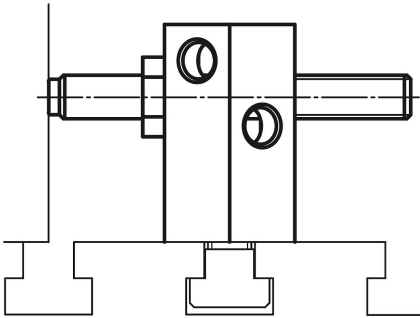
Version:

Body black oxidised.

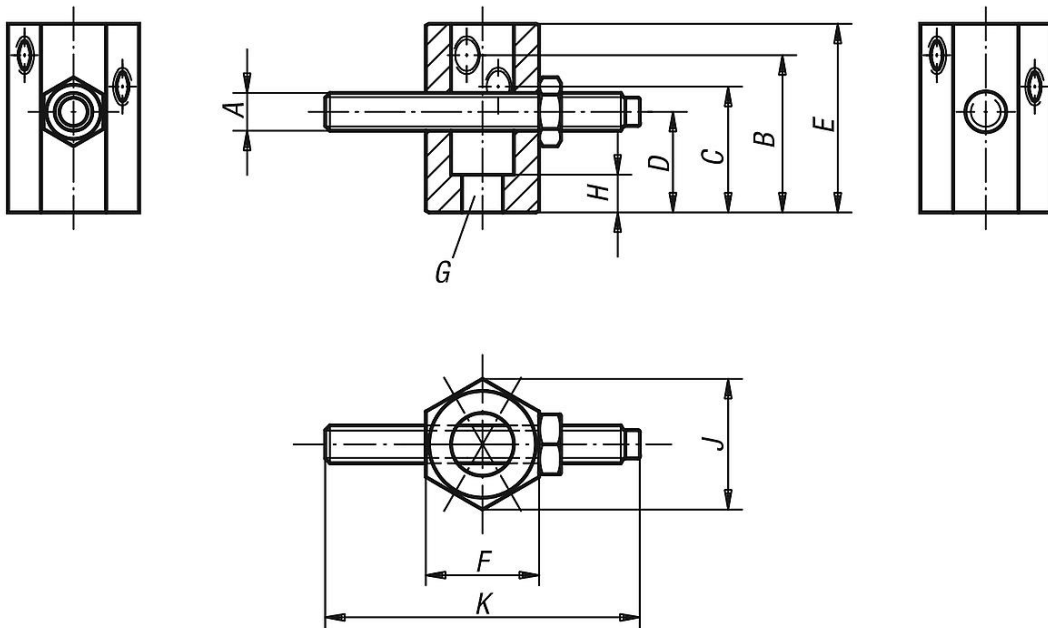
Set screw tempered and black oxidised.

Note:

The adjustable stops have three tapped holes to accept the set screws.



Drawings



Overview of items

Adjustable stops

Order No.	A	B	C	D	E	F	G hole for DIN 912 cap screw	H	J	K
K0813.08032	M8	32	25	20	40	21	M8	7	24,3	50
K0813.12050	M12	50	40	32	60	36	M12	12	41,6	100
K0813.16063	M16	63	50	40	80	46	M16	16	53,1	100

