

Tombstones window frame

Item description/product images

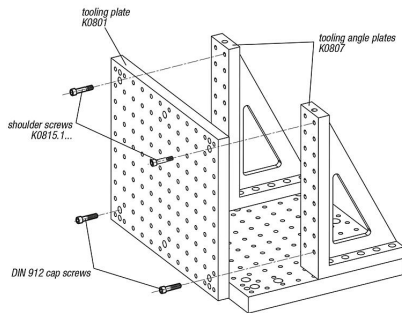
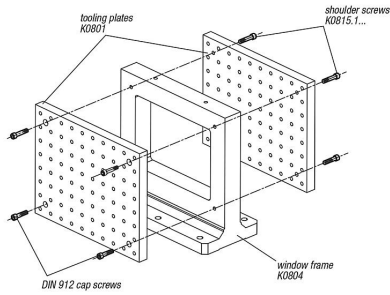


Description

Material:
GJL 300.

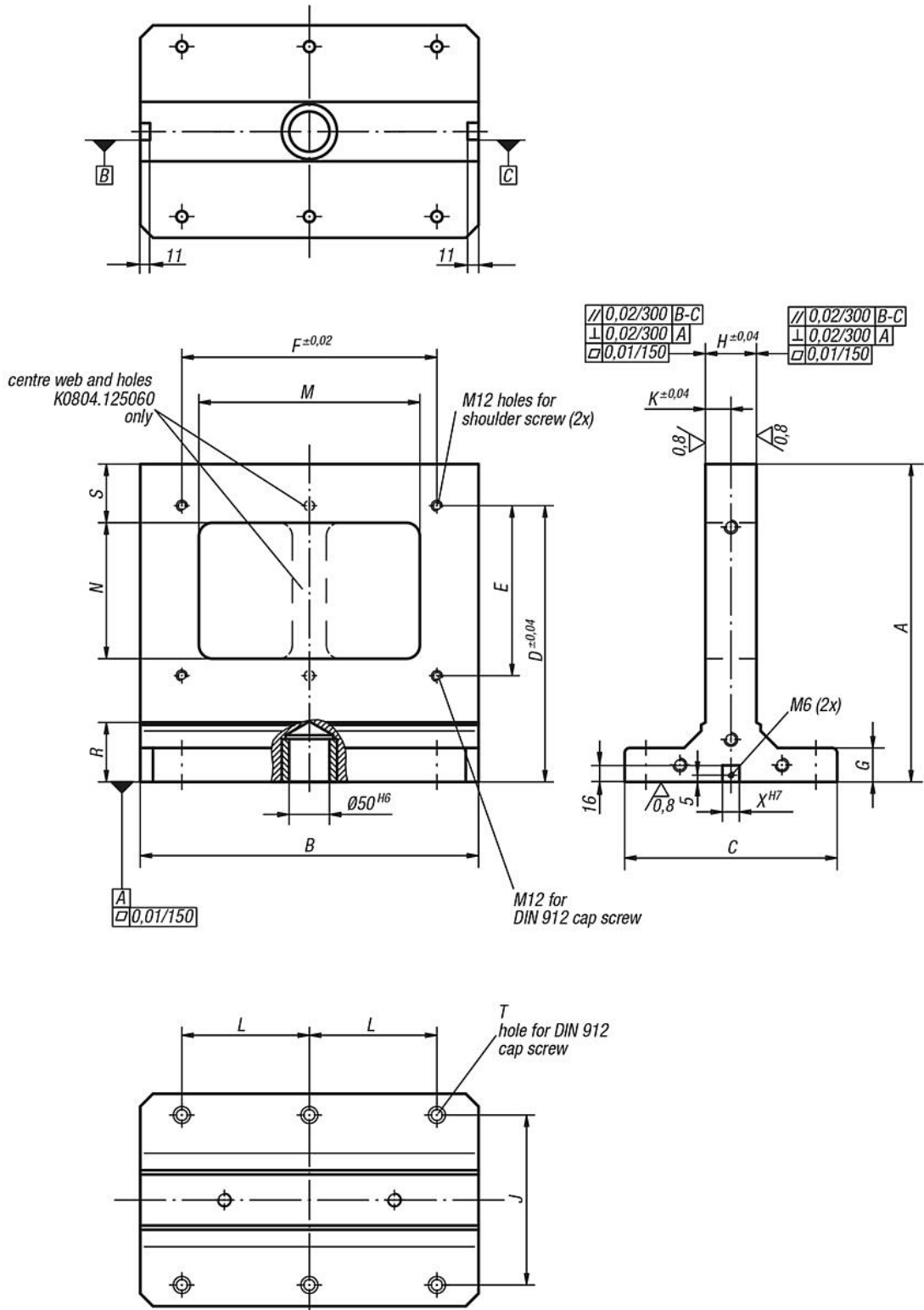
Version:
Reference surfaces precision machined

Note:
Tooling plates K0801 can be positioned and mounted on both sides of the window frame, permitting economical fixture changes. The window frames are positioned using centring pins K0856 and T-slot keys.



Tombstones window frame

Drawings



Overview of items

Tombstone window frame

Order No.	A	B	C	D	E	F	G	H	J	K	L	M	N	R	S	T	X	weight ca. kg
K0804.124050	474	498	250	425	300	400	40	70	200	35	200	360	260	70	69	M12	14	112,6

Tombstones window frame

Overview of items

Order No.	A	B	C	D	E	F	G	H	J	K	L	M	N	R	S	T	X	weight ca. kg
K0804.125060	574	598	300	525	400	500	50	70	200	35	200	460	360	75	70	M16	18	153