

Side clamps, Form B

Item description/product images



Description

Material:
Steel.

Version:
Case-hardened and black oxidised.

Note:

This is a quick-action side clamp where workpieces are clamped by rotating a cam wheel which exerts pressure on the swivel jaw, simultaneously producing a positive down force.

Using the centring bush (see diagram), the side clamp can be mounted and positioned on a modular grid system.

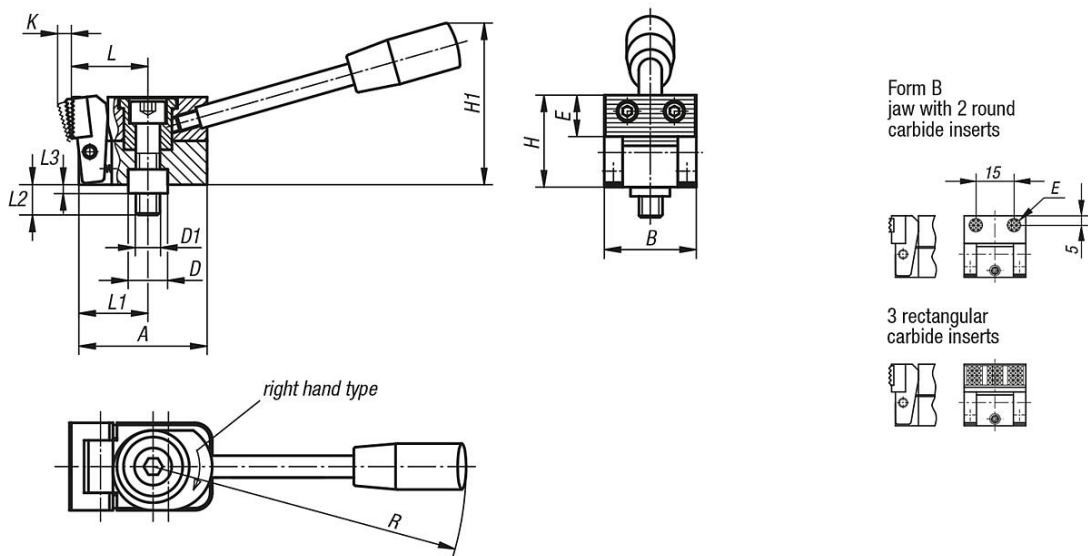
The versions K0035.006010, K0035.006015, K0035.006030 and K0035.006035 have 2 round carbide inserts.

Clamping force:

K0035.006... = 3800 N

K0035.010... = 7200 N

Drawings



Overview of items

| Order No. | Form | Version 1 | A | B | D | D1 | E | H | H1 | K | L | L1 | L2 | L3 | R | F N |
|--------------|------|-----------|------|----|----|-----|------|----|----|-----|----|------|----|----|-----|--------|
| K0035.006010 | B | right | 38,5 | 25 | 12 | M6 | ø8 | 24 | 45 | 3,5 | 22 | 20 | 17 | 4 | 110 | 3800 |
| K0035.010010 | B | right | 58,5 | 40 | 18 | M10 | 12,7 | 39 | 74 | 5,5 | 37 | 31,5 | 27 | 6 | 143 | 7200 |
| K0035.006030 | B | left | 38,5 | 25 | 12 | M6 | ø8 | 24 | 45 | 3,5 | 22 | 20 | 17 | 4 | 110 | 3800 |
| K0035.010030 | B | left | 58,5 | 40 | 18 | M10 | 12,7 | 39 | 74 | 5,5 | 37 | 31,5 | 27 | 6 | 143 | 7200 |

