

Levelling feet steel or stainless steel

Item description/product images



Description

Material:

Foot plate and threaded spindle steel or stainless steel 1.4301.
Rubber support (NBR) 80 Shore.

Version:

Foot plate and threaded spindle electro zinc-plated steel.
Foot plate polished stainless steel.
Threaded spindle bright stainless steel.
Rubber support, vulcanised, black.

Note:

Levelling feet steel or stainless steel with pivoting threaded spindle and rubber base. The solid rubber base is permanently vulcanised to the sheet metal plate. The rubber base has an excellent surface grip. It is sound damping and impedes transmission of vibrations and impacts to the floor.

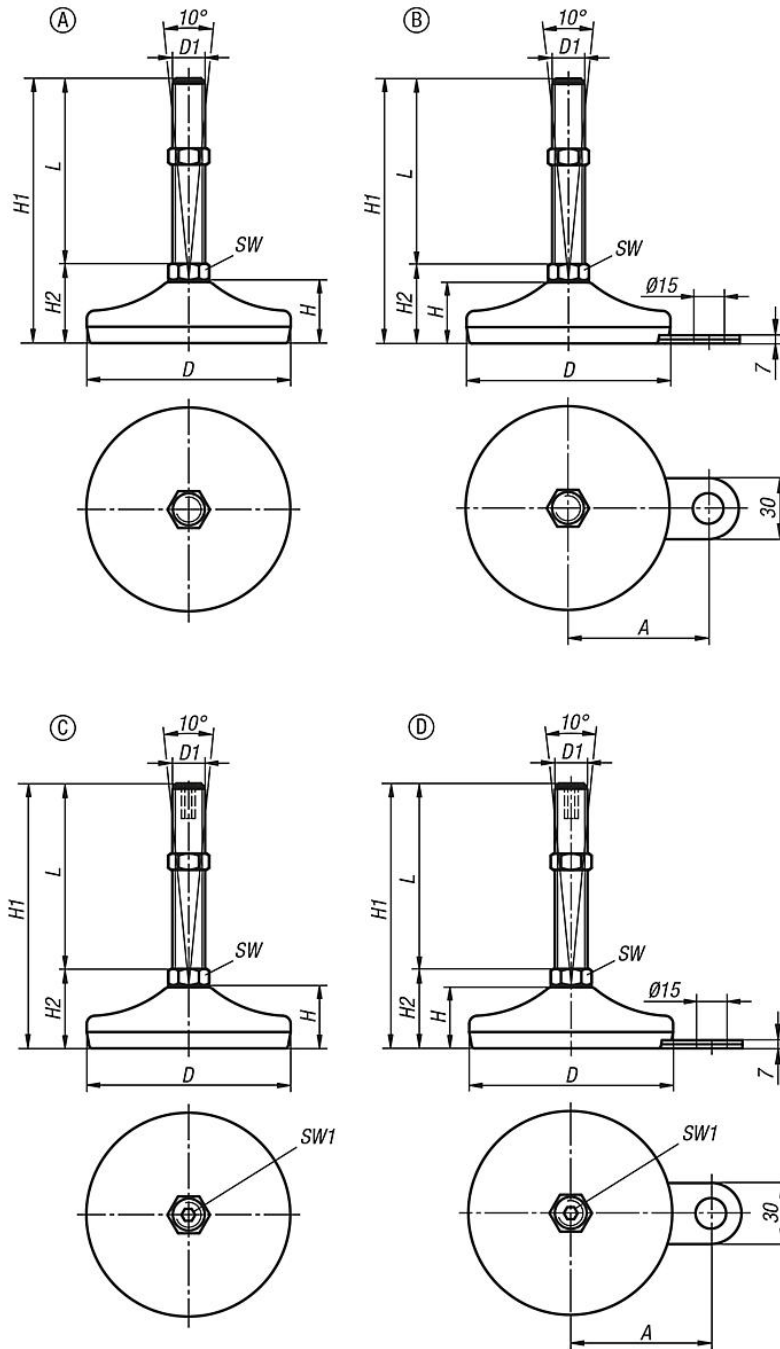
The load values specified in the table are based on a test series, in which a static load was applied perpendicular to the plates through the centre of the spindle. Radially acting forces such as those produced by vibrations or other shaking effects, affect the load rating and are not taken into account for the specified values.

For stainless steel feet from spindle size M16, the wrench sizes apply across two flats.

Supplied with matching nut.

Levelling feet steel or stainless steel

Drawings



Overview of items

Levelling feet steel or stainless steel

Order No.	Form	Main material	A	D	D1	H	H1	H2	L	SW	SW1	Load rating max. kN (static load only)
K0739.1105010X50	A	steel	-	50	M10	19	79	29	50	14	-	4
K0739.1105010X100	A	steel	-	50	M10	19	129	29	100	14	-	4
K0739.1105012X50	A	steel	-	50	M12	19	79	29	50	14	-	4
K0739.1105012X100	A	steel	-	50	M12	19	129	29	100	14	-	4
K0739.1105012X150	A	steel	-	50	M12	19	179	29	150	14	-	4
K0739.1106010X50	A	steel	-	60	M10	22	82	32	50	14	-	7

Levelling feet steel or stainless steel

Overview of items

Order No.	Form	Main material	A	D	D1	H	H1	H2	L	SW	SW1	Load rating max. kN (static load only)
K0739.1106010X100	A	steel	-	60	M10	22	132	32	100	14	-	7
K0739.1106012X50	A	steel	-	60	M12	22	82	32	50	14	-	7
K0739.1106012X100	A	steel	-	60	M12	22	132	32	100	14	-	7
K0739.1106012X150	A	steel	-	60	M12	22	182	32	150	14	-	7
K0739.1108010X50	A	steel	-	80	M10	25	85	35	50	14	-	10
K0739.1108010X100	A	steel	-	80	M10	25	135	35	100	14	-	10
K0739.1108012X50	A	steel	-	80	M12	25	85	35	50	14	-	10
K0739.1108012X100	A	steel	-	80	M12	25	135	35	100	14	-	10
K0739.1108012X150	A	steel	-	80	M12	25	185	35	150	14	-	10
K0739.1108014X50	A	steel	-	80	M14	25	85	35	50	14	-	10
K0739.1108014X100	A	steel	-	80	M14	25	135	35	100	14	-	10
K0739.1108014X150	A	steel	-	80	M14	25	185	35	150	14	-	10
K0739.1108016X100	A	steel	-	80	M16	25	135	35	100	16	-	10
K0739.1108016X150	A	steel	-	80	M16	25	185	35	150	16	-	10
K0739.1108020X75	A	steel	-	80	M20	25	111	36	75	20	-	10
K0739.1108020X100	A	steel	-	80	M20	25	136	36	100	20	-	10
K0739.1108020X150	A	steel	-	80	M20	25	186	36	150	20	-	10
K0739.1108020X200	A	steel	-	80	M20	25	236	36	200	20	-	10
K0739.1110020X75	A	steel	-	100	M20	28	113,5	38,5	75	20	-	15
K0739.1110020X100	A	steel	-	100	M20	28	138,5	38,5	100	20	-	15
K0739.1110020X150	A	steel	-	100	M20	28	188,5	38,5	150	20	-	15
K0739.1110020X200	A	steel	-	100	M20	28	238,5	38,5	200	20	-	15
K0739.1110020X250	A	steel	-	100	M20	28	288,5	38,5	250	20	-	15
K0739.1110024X100	A	steel	-	100	M24	28	138,5	38,5	100	24	-	15
K0739.1110024X150	A	steel	-	100	M24	28	188,5	38,5	150	24	-	15
K0739.1110024X200	A	steel	-	100	M24	28	238,5	38,5	200	24	-	15
K0739.1110024X250	A	steel	-	100	M24	28	288,5	38,5	250	24	-	15
K0739.1112020X100	A	steel	-	120	M20	32	142,5	42,5	100	20	-	30
K0739.1112020X150	A	steel	-	120	M20	32	192,5	42,5	150	20	-	30
K0739.1112020X200	A	steel	-	120	M20	32	242,5	42,5	200	20	-	30
K0739.1112024X100	A	steel	-	120	M24	32	142,5	42,5	100	24	-	30
K0739.1112024X150	A	steel	-	120	M24	32	192,5	42,5	150	24	-	30
K0739.1112024X200	A	steel	-	120	M24	32	242,5	42,5	200	24	-	30
K0739.1112030X100	A	steel	-	120	M30	32	143,5	43,5	100	30	-	30
K0739.1112030X150	A	steel	-	120	M30	32	193,5	43,5	150	30	-	30
K0739.1112030X200	A	steel	-	120	M30	32	243,5	43,5	200	30	-	30
K0739.1205010X50	A	stainless steel	-	50	M10	19	79	29	50	14	-	4
K0739.1205010X100	A	stainless steel	-	50	M10	19	129	29	100	14	-	4
K0739.1205012X50	A	stainless steel	-	50	M12	19	79	29	50	14	-	4
K0739.1205012X100	A	stainless steel	-	50	M12	19	129	29	100	14	-	4
K0739.1205012X150	A	stainless steel	-	50	M12	19	179	29	150	14	-	4
K0739.1206010X50	A	stainless steel	-	60	M10	22	82	32	50	14	-	7
K0739.1206010X100	A	stainless steel	-	60	M10	22	132	32	100	14	-	7
K0739.1206012X50	A	stainless steel	-	60	M12	22	82	32	50	14	-	7
K0739.1206012X100	A	stainless steel	-	60	M12	22	132	32	100	14	-	7
K0739.1206012X150	A	stainless steel	-	60	M12	22	182	32	150	14	-	7
K0739.1208010X50	A	stainless steel	-	80	M10	25	85	35	50	14	-	10
K0739.1208010X75	A	stainless steel	-	80	M10	25	110	35	75	14	-	10
K0739.1208010X100	A	stainless steel	-	80	M10	25	135	35	100	14	-	10
K0739.1208010X125	A	stainless steel	-	80	M10	25	160	35	125	14	-	10
K0739.1208012X50	A	stainless steel	-	80	M12	25	85	35	50	14	-	10
K0739.1208012X75	A	stainless steel	-	80	M12	25	110	35	75	14	-	10
K0739.1208012X100	A	stainless steel	-	80	M12	25	135	35	100	14	-	10
K0739.1208012X125	A	stainless steel	-	80	M12	25	160	35	125	14	-	10
K0739.1208012X150	A	stainless steel	-	80	M12	25	185	35	150	14	-	10
K0739.1208014X75	A	stainless steel	-	80	M14	25	110	35	75	14	-	10
K0739.1208014X100	A	stainless steel	-	80	M14	25	135	35	100	14	-	10
K0739.1208014X125	A	stainless steel	-	80	M14	25	160	35	125	14	-	10
K0739.1208014X150	A	stainless steel	-	80	M14	25	185	35	150	14	-	10
K0739.1208014X175	A	stainless steel	-	80	M14	25	210	35	175	14	-	10
K0739.1208016X75	A	stainless steel	-	80	M16	25	110	35	75	13	-	10

Levelling feet steel or stainless steel

Overview of items

Order No.	Form	Main material	A	D	D1	H	H1	H2	L	SW	SW1	Load rating max. kN (static load only)
K0739.1208016X100	A	stainless steel	-	80	M16	25	135	35	100	13	-	10
K0739.1208016X125	A	stainless steel	-	80	M16	25	160	35	125	13	-	10
K0739.1208016X150	A	stainless steel	-	80	M16	25	185	35	150	13	-	10
K0739.1208016X175	A	stainless steel	-	80	M16	25	210	35	175	13	-	10
K0739.1208020X75	A	stainless steel	-	80	M20	25	113	38	75	17	-	10
K0739.1208020X100	A	stainless steel	-	80	M20	25	138	38	100	17	-	10
K0739.1208020X125	A	stainless steel	-	80	M20	25	163	38	125	17	-	10
K0739.1208020X150	A	stainless steel	-	80	M20	25	188	38	150	17	-	10
K0739.1208020X175	A	stainless steel	-	80	M20	25	213	38	175	17	-	10
K0739.1208020X200	A	stainless steel	-	80	M20	25	238	38	200	17	-	10
K0739.1208020X225	A	stainless steel	-	80	M20	25	263	38	225	17	-	10
K0739.1210020X75	A	stainless steel	-	100	M20	30	118	43	75	17	-	15
K0739.1210020X100	A	stainless steel	-	100	M20	30	143	43	100	17	-	15
K0739.1210020X125	A	stainless steel	-	100	M20	30	168	43	125	17	-	15
K0739.1210020X150	A	stainless steel	-	100	M20	30	193	43	150	17	-	15
K0739.1210020X175	A	stainless steel	-	100	M20	30	218	43	175	17	-	15
K0739.1210020X200	A	stainless steel	-	100	M20	30	243	43	200	17	-	15
K0739.1210024X100	A	stainless steel	-	100	M24	30	144	44	100	20	-	15
K0739.1210024X125	A	stainless steel	-	100	M24	30	169	44	125	20	-	15
K0739.1210024X150	A	stainless steel	-	100	M24	30	194	44	150	20	-	15
K0739.1210024X175	A	stainless steel	-	100	M24	30	219	44	175	20	-	15
K0739.1210024X200	A	stainless steel	-	100	M24	30	244	44	200	20	-	15
K0739.1212020X100	A	stainless steel	-	120	M20	32	143	43	100	17	-	30
K0739.1212020X150	A	stainless steel	-	120	M20	32	192	42	150	17	-	30
K0739.1212020X200	A	stainless steel	-	120	M20	32	242	42	200	17	-	30
K0739.1212024X100	A	stainless steel	-	120	M24	32	144	44	100	20	-	30
K0739.1212024X150	A	stainless steel	-	120	M24	32	194	44	150	20	-	30
K0739.1212024X200	A	stainless steel	-	120	M24	32	244	44	200	20	-	30
K0739.1212030X100	A	stainless steel	-	120	M30	32	147	47	100	26	-	30
K0739.1212030X150	A	stainless steel	-	120	M30	32	196	46	150	26	-	30
K0739.1212030X200	A	stainless steel	-	120	M30	32	246	46	200	26	-	30
K0739.2106010X50	B	steel	45	60	M10	22	82	32	50	14	-	7
K0739.2106010X100	B	steel	45	60	M10	22	132	32	100	14	-	7
K0739.2106012X50	B	steel	45	60	M12	22	82	32	50	14	-	7
K0739.2106012X100	B	steel	45	60	M12	22	132	32	100	14	-	7
K0739.2106012X150	B	steel	45	60	M12	22	182	32	150	14	-	7
K0739.2108010X50	B	steel	54	80	M10	25	85	35	50	14	-	10
K0739.2108010X100	B	steel	54	80	M10	25	135	35	100	14	-	10
K0739.2108012X50	B	steel	54	80	M12	25	85	35	50	14	-	10
K0739.2108012X100	B	steel	54	80	M12	25	135	35	100	14	-	10
K0739.2108012X150	B	steel	54	80	M12	25	185	35	150	14	-	10
K0739.2108014X50	B	steel	54	80	M14	25	85	35	50	14	-	10
K0739.2108014X100	B	steel	54	80	M14	25	135	35	100	14	-	10
K0739.2108014X150	B	steel	54	80	M14	25	185	35	150	14	-	10
K0739.2108016X100	B	steel	54	80	M16	25	135	35	100	16	-	10
K0739.2108016X150	B	steel	54	80	M16	25	185	35	150	16	-	10
K0739.2108020X75	B	steel	54	80	M20	25	111	36	75	20	-	10
K0739.2108020X100	B	steel	54	80	M20	25	136	36	100	20	-	10
K0739.2108020X150	B	steel	54	80	M20	25	186	36	150	20	-	10
K0739.2108020X200	B	steel	54	80	M20	25	236	36	200	20	-	10
K0739.2110020X75	B	steel	69	100	M20	28	113,5	38,5	75	20	-	15
K0739.2110020X100	B	steel	69	100	M20	28	138,5	38,5	100	20	-	15
K0739.2110020X150	B	steel	69	100	M20	28	188,5	38,5	150	20	-	15
K0739.2110020X200	B	steel	69	100	M20	28	238,5	38,5	200	20	-	15
K0739.2110020X250	B	steel	69	100	M20	28	288,5	38,5	250	20	-	15
K0739.2110024X100	B	steel	69	100	M24	28	138,5	38,5	100	24	-	15
K0739.2110024X150	B	steel	69	100	M24	28	188,5	38,5	150	24	-	15
K0739.2110024X200	B	steel	69	100	M24	28	238,5	38,5	200	24	-	15
K0739.2110024X250	B	steel	69	100	M24	28	288,5	38,5	250	24	-	15
K0739.2206010X50	B	stainless steel	45	60	M10	22	82	32	50	14	-	7
K0739.2206010X100	B	stainless steel	45	60	M10	22	132	32	100	14	-	7

Levelling feet steel or stainless steel

Overview of items

Order No.	Form	Main material	A	D	D1	H	H1	H2	L	SW	SW1	Load rating max. kN (static load only)
K0739.2206012X50	B	stainless steel	45	60	M12	22	82	32	50	14	-	7
K0739.2206012X100	B	stainless steel	45	60	M12	22	132	32	100	14	-	7
K0739.2206012X150	B	stainless steel	45	60	M12	22	182	32	150	14	-	7
K0739.2208010X50	B	stainless steel	54	80	M10	25	85	35	50	14	-	10
K0739.2208010X75	B	stainless steel	54	80	M10	25	110	35	75	14	-	10
K0739.2208010X100	B	stainless steel	54	80	M10	25	135	35	100	14	-	10
K0739.2208010X125	B	stainless steel	54	80	M10	25	160	35	125	14	-	10
K0739.2208012X50	B	stainless steel	54	80	M12	25	85	35	50	14	-	10
K0739.2208012X75	B	stainless steel	54	80	M12	25	110	35	75	14	-	10
K0739.2208012X100	B	stainless steel	54	80	M12	25	135	35	100	14	-	10
K0739.2208012X125	B	stainless steel	54	80	M12	25	160	35	125	14	-	10
K0739.2208012X150	B	stainless steel	54	80	M12	25	185	35	150	14	-	10
K0739.2208014X75	B	stainless steel	54	80	M14	25	110	35	75	14	-	10
K0739.2208014X100	B	stainless steel	54	80	M14	25	135	35	100	14	-	10
K0739.2208014X125	B	stainless steel	54	80	M14	25	160	35	125	14	-	10
K0739.2208014X150	B	stainless steel	54	80	M14	25	185	35	150	14	-	10
K0739.2208014X175	B	stainless steel	54	80	M14	25	210	35	175	14	-	10
K0739.2208016X75	B	stainless steel	54	80	M16	25	110	35	75	13	-	10
K0739.2208016X100	B	stainless steel	54	80	M16	25	135	35	100	13	-	10
K0739.2208016X125	B	stainless steel	54	80	M16	25	160	35	125	13	-	10
K0739.2208016X150	B	stainless steel	54	80	M16	25	185	35	150	13	-	10
K0739.2208016X175	B	stainless steel	54	80	M16	25	210	35	175	13	-	10
K0739.2208020X75	B	stainless steel	54	80	M20	25	113	38	75	17	-	10
K0739.2208020X100	B	stainless steel	54	80	M20	25	138	38	100	17	-	10
K0739.2208020X125	B	stainless steel	54	80	M20	25	163	38	125	17	-	10
K0739.2208020X150	B	stainless steel	54	80	M20	25	188	38	150	17	-	10
K0739.2208020X175	B	stainless steel	54	80	M20	25	213	38	175	17	-	10
K0739.2208020X200	B	stainless steel	54	80	M20	25	238	38	200	17	-	10
K0739.2208020X225	B	stainless steel	54	80	M20	25	263	38	225	17	-	10
K0739.2210020X75	B	stainless steel	69	100	M20	30	118	43	75	17	-	15
K0739.2210020X100	B	stainless steel	69	100	M20	30	143	43	100	17	-	15
K0739.2210020X125	B	stainless steel	69	100	M20	30	168	43	125	17	-	15
K0739.2210020X150	B	stainless steel	69	100	M20	30	193	43	150	17	-	15
K0739.2210020X175	B	stainless steel	69	100	M20	30	218	43	175	17	-	15
K0739.2210020X200	B	stainless steel	69	100	M20	30	243	43	200	17	-	15
K0739.2210024X100	B	stainless steel	69	100	M24	30	144	44	100	20	-	15
K0739.2210024X125	B	stainless steel	69	100	M24	30	169	44	125	20	-	15
K0739.2210024X150	B	stainless steel	69	100	M24	30	194	44	150	20	-	15
K0739.2210024X175	B	stainless steel	69	100	M24	30	219	44	175	20	-	15
K0739.2210024X200	B	stainless steel	69	100	M24	30	244	44	200	20	-	15
K0739.3105010X50	C	steel	-	50	M10	19	79	29	50	14	5	4
K0739.3105012X50	C	steel	-	50	M12	19	79	29	50	14	6	4
K0739.3105012X100	C	steel	-	50	M12	19	129	29	100	14	6	4
K0739.3105016X75	C	steel	-	50	M16	19	104	29	75	16	8	4
K0739.3105016X100	C	steel	-	50	M16	19	129	29	100	16	8	4
K0739.3105016X150	C	steel	-	50	M16	19	179	29	150	16	8	4
K0739.3106010X50	C	steel	-	60	M10	22	82	32	50	14	5	7
K0739.3106012X50	C	steel	-	60	M12	22	82	32	50	14	6	7
K0739.3106012X100	C	steel	-	60	M12	22	132	32	100	14	6	7
K0739.3106016X75	C	steel	-	60	M16	22	108	33	75	16	8	7
K0739.3106016X100	C	steel	-	60	M16	22	133	33	100	16	8	7
K0739.3106016X150	C	steel	-	60	M16	22	183	33	150	16	8	7
K0739.3108016X100	C	steel	-	80	M16	25	135	35	100	16	8	10
K0739.3108016X150	C	steel	-	80	M16	25	185	35	150	16	8	10
K0739.3108020X75	C	steel	-	80	M20	25	111	36	75	20	10	10
K0739.3110020X100	C	steel	-	100	M20	28	138,5	38,5	100	20	10	15
K0739.3110020X150	C	steel	-	100	M20	28	188,5	38,5	150	20	10	15
K0739.3110024X200	C	steel	-	100	M24	28	238,5	38,5	200	24	10	15
K0739.3112020X100	C	steel	-	120	M20	32	142,5	42,5	100	20	10	30
K0739.3112020X150	C	steel	-	120	M20	32	192,5	42,5	150	20	10	30
K0739.3112020X200	C	steel	-	120	M20	32	242,5	42,5	200	20	10	30

Levelling feet steel or stainless steel

Overview of items

Order No.	Form	Main material	A	D	D1	H	H1	H2	L	SW	SW1	Load rating max. kN (static load only)
K0739.3112024X100	C	steel	-	120	M24	32	142,5	42,5	100	24	10	30
K0739.3112024X150	C	steel	-	120	M24	32	192,5	42,5	150	24	10	30
K0739.3112024X200	C	steel	-	120	M24	32	242,5	42,5	200	24	10	30
K0739.3112030X100	C	steel	-	120	M30	32	143,5	43,5	100	30	10	30
K0739.3112030X150	C	steel	-	120	M30	32	193,5	43,5	150	30	10	30
K0739.3112030X200	C	steel	-	120	M30	32	243,5	43,5	200	30	10	30
K0739.3205010X50	C	stainless steel	-	50	M10	19	79	29	50	14	5	4
K0739.3205012X50	C	stainless steel	-	50	M12	19	79	29	50	14	6	4
K0739.3205012X100	C	stainless steel	-	50	M12	19	129	29	100	14	6	4
K0739.3205016X75	C	stainless steel	-	50	M16	19	104	29	75	13	8	4
K0739.3205016X100	C	stainless steel	-	50	M16	19	129	29	100	13	8	4
K0739.3205016X150	C	stainless steel	-	50	M16	19	179	29	150	13	8	4
K0739.3205016X200	C	stainless steel	-	50	M16	19	229	29	200	13	8	4
K0739.3206010X50	C	stainless steel	-	60	M10	22	82	32	50	14	5	7
K0739.3206012X50	C	stainless steel	-	60	M12	22	82	32	50	14	6	7
K0739.3206012X100	C	stainless steel	-	60	M12	22	132	32	100	14	6	7
K0739.3206016X75	C	stainless steel	-	60	M16	22	108	33	75	13	8	7
K0739.3206016X100	C	stainless steel	-	60	M16	22	133	33	100	13	8	7
K0739.3206016X150	C	stainless steel	-	60	M16	22	183	33	150	13	8	7
K0739.3206016X200	C	stainless steel	-	60	M16	22	233	33	200	13	8	7
K0739.3208016X75	C	stainless steel	-	80	M16	25	110	35	75	13	8	10
K0739.3208016X100	C	stainless steel	-	80	M16	25	135	35	100	13	8	10
K0739.3208016X125	C	stainless steel	-	80	M16	25	160	35	125	13	8	10
K0739.3208016X150	C	stainless steel	-	80	M16	25	185	35	150	13	8	10
K0739.3208016X175	C	stainless steel	-	80	M16	25	210	35	175	13	8	10
K0739.3208020X75	C	stainless steel	-	80	M20	25	113	38	75	17	10	10
K0739.3208020X200	C	stainless steel	-	80	M20	25	238	38	200	17	10	10
K0739.3210020X150	C	stainless steel	-	100	M20	30	193	43	150	17	10	15
K0739.3212020X100	C	stainless steel	-	120	M20	32	143	43	100	17	10	30
K0739.3212020X150	C	stainless steel	-	120	M20	32	194	44	150	17	10	30
K0739.3212020X200	C	stainless steel	-	120	M20	32	244	44	200	17	10	30
K0739.3212024X100	C	stainless steel	-	120	M24	32	145	45	100	20	10	30
K0739.3212024X150	C	stainless steel	-	120	M24	32	195	45	150	20	10	30
K0739.3212024X200	C	stainless steel	-	120	M24	32	245	45	200	20	10	30
K0739.3212030X100	C	stainless steel	-	120	M30	32	147	47	100	26	10	30
K0739.3212030X150	C	stainless steel	-	120	M30	32	197	47	150	26	10	30
K0739.3212030X200	C	stainless steel	-	120	M30	32	247	47	200	26	10	30
K0739.4106010X50	D	steel	45	60	M10	22	82	32	50	14	5	7
K0739.4106012X50	D	steel	45	60	M12	22	82	32	50	14	6	7
K0739.4106012X100	D	steel	45	60	M12	22	132	32	100	14	6	7
K0739.4106016X75	D	steel	45	60	M16	22	108	33	75	16	8	7
K0739.4106016X100	D	steel	45	60	M16	22	133	33	100	16	8	7
K0739.4106016X150	D	steel	45	60	M16	22	183	33	150	16	8	7
K0739.4106016X200	D	steel	45	60	M16	22	233	33	200	16	8	7
K0739.4206010X50	D	stainless steel	45	60	M10	22	82	32	50	14	5	7
K0739.4206012X50	D	stainless steel	45	60	M12	22	82	32	50	14	6	7
K0739.4206012X100	D	stainless steel	45	60	M12	22	132	32	100	14	6	7
K0739.4206016X75	D	stainless steel	45	60	M16	22	108	33	75	13	8	7
K0739.4206016X100	D	stainless steel	45	60	M16	22	133	33	100	13	8	7
K0739.4206016X150	D	stainless steel	45	60	M16	22	183	33	150	13	8	7
K0739.4206016X200	D	stainless steel	45	60	M16	22	233	33	200	13	8	7