

## Magnets shallow pot with countersink hard ferrite

### Item description/product images



### Description

**Material:**

Housing, steel.

Magnetic core hard ferrite.

**Version:**

Housing, electro zinc-plated.

**Note:**

Shielded system.

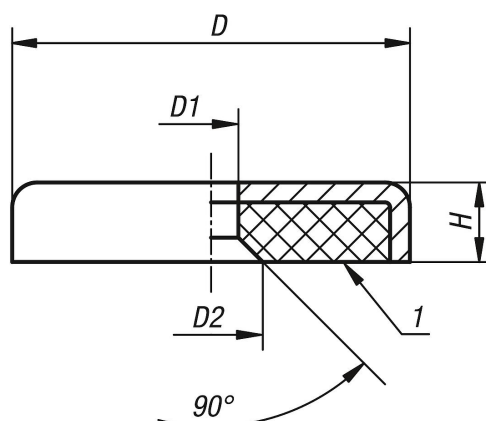
**Temperature range:**

max. 200°C.

**Drawing reference:**

1) magnetic face

### Drawings



### Overview of items

#### Magnets shallow pot with countersink hard ferrite

Order No.	D	D1	D2	H	Magnetic force N
K0555.01	16±0,15	3,5 ±0,2	7,5±1	4,5	14
K0555.02	20±0,15	4,2±0,2	8,5±1	6	22
K0555.03	25±0,15	5,5±0,2	13±1	7	36
K0555.04	32±0,20	5,5±0,2	11±1	7	72
K0555.05	40±0,20	5,5±0,2	13±1	8	90