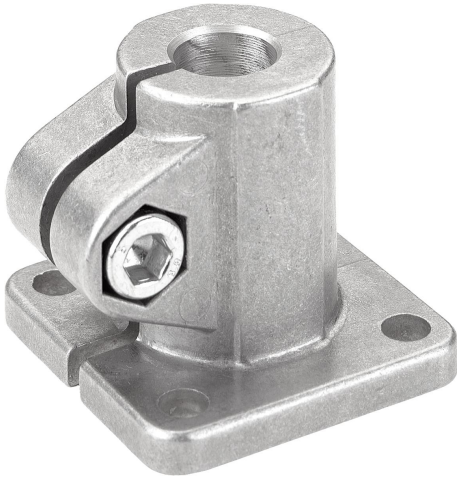


## Tube clamps base aluminium

### Item description/product images



### Description

**Material:**

Cast aluminium.

DIN 7984 screws and DIN 985 nuts, steel.

**Version:**

Vibratory ground.

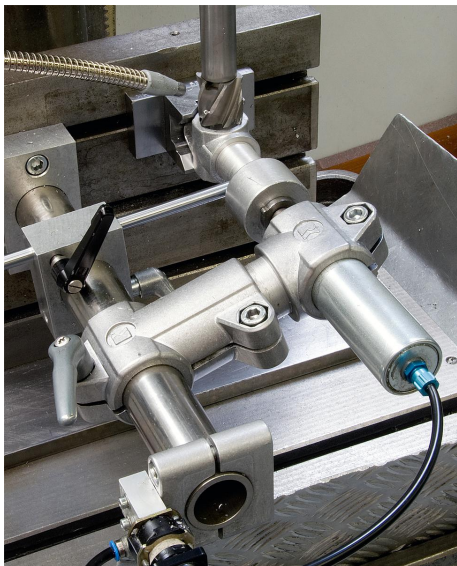
Screws and nuts electro zinc-plated.

**On request:**

Clamping levers for tightening and other diameters.

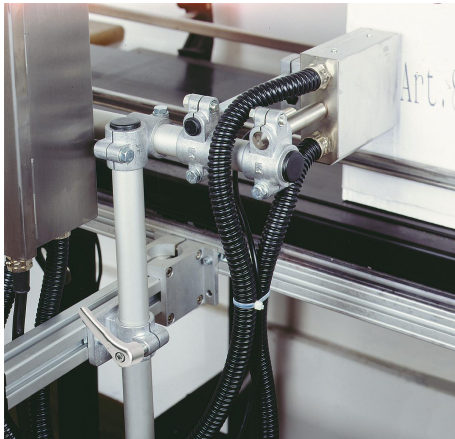
**Accessory:**

- Round and square tubes K0493

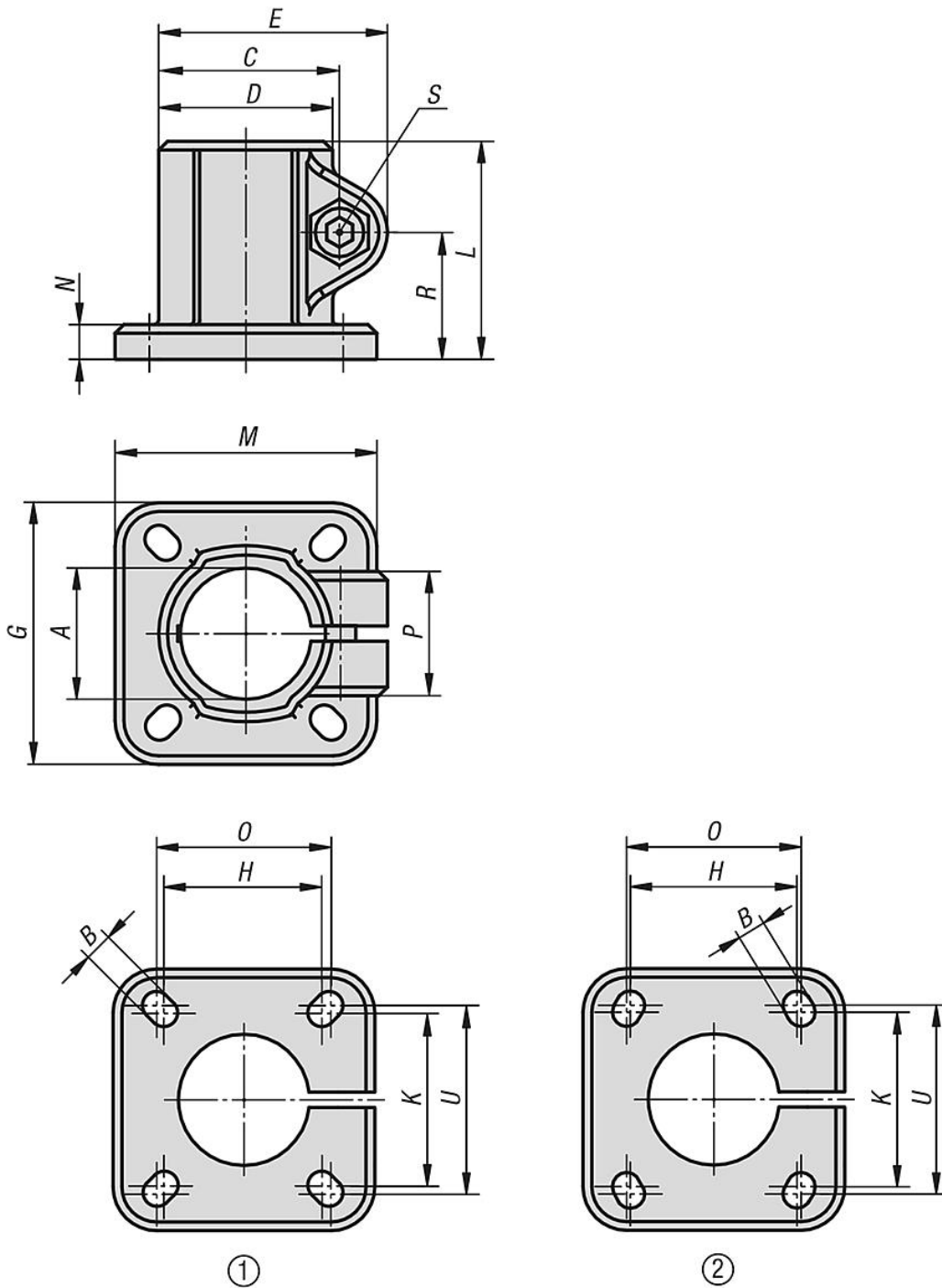


# Tube clamps base aluminium

## Item description/product images



Drawings



Overview of items

Tube clamps base, aluminium

Order No.	hole arrangement	A	B	C	D	E	G	H	K	L	M	N	O	P	R	S	U
K0477.512	1	12,1	6	27	25	35,5	42	28	28	37	42	5	30	23	21	M6x20	30
K0477.514	1	14,1	6	27	25	35,5	42	28	28	37	42	5	30	23	21	M6x20	30
K0477.515	1	15,1	6	27	25	35,5	42	28	28	37	42	5	30	23	21	M6x20	30
K0477.516	1	16,1	6	27	25	35,5	42	28	28	37	42	5	30	23	21	M6x20	30

## Tube clamps base aluminium

### Overview of items

Order No.	hole arrangement	A	B	C	D	E	G	H	K	L	M	N	O	P	R	S	U
<b>K0477.518</b>	1	18,1	6	27	25	35,5	42	28	28	37	42	5	30	23	21	M6x20	30
<b>K0477.520</b>	2	20,1	7	42,5	40	53	60	40	42	50	60	8	42	33	29	M8x25	45
<b>K0477.525</b>	2	25,1	7	42,5	40	53	60	40	42	50	60	8	42	33	29	M8x25	45
<b>K0477.530</b>	2	30,1	7	42,5	40	53	60	40	42	50	60	8	42	33	29	M8x25	45
<b>K0477.540</b>	1	40,17	9	61	56	74	90	60	60	70	90	10	64	40	40	M10x30	64
<b>K0477.550</b>	1	50,22	11	70	66	84	105	74	74	85	105	14	80	45	49,5	M10x35	80