

Tube clamps cross plastic

Item description/product images



Description

Material:

Thermoplastic.

DIN 7984 screws and DIN 985 nuts steel.

Version:

Black.

Screws and nuts electro zinc-plated.

Note:

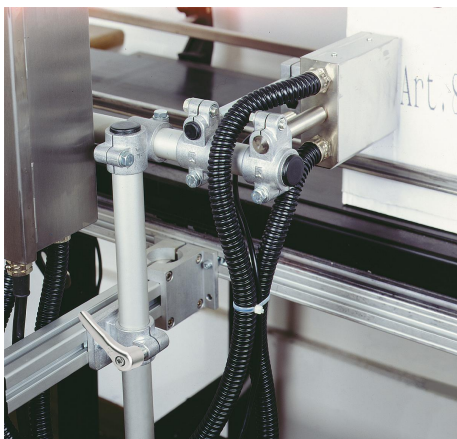
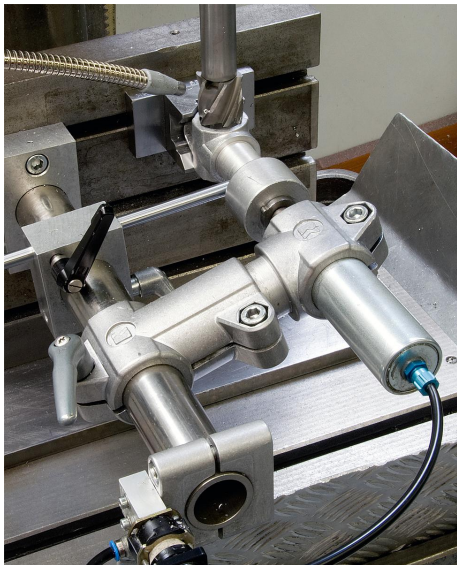
These cross clamps are for 30 mm square tubes. Use reducer sleeves K0491 if smaller tubes are to be clamped or a conversion from square to round tubes is required.

On request:

Plastic clamping levers for tightening.

Accessory:

- Reducer sleeves K0491
- Round and square tubes K0493

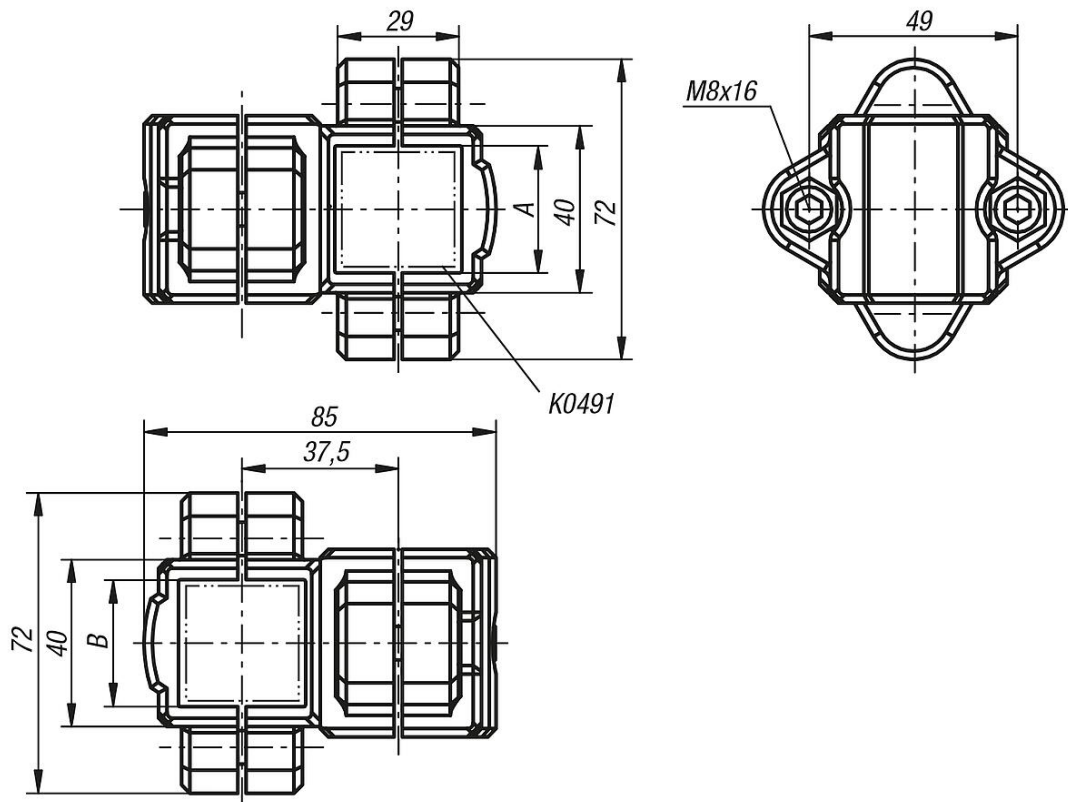


Tube clamps cross plastic

Item description/product images



Drawings



Overview of items

Tube clamps cross, plastic

| Order No. | A | B |
|------------|----|----|
| K0473.3030 | 30 | 30 |

