

Tube inserts square with tapped bush

Item description/product images



Description

Material:

Body fibreglass reinforced thermoplastic.
Threaded insert brass.

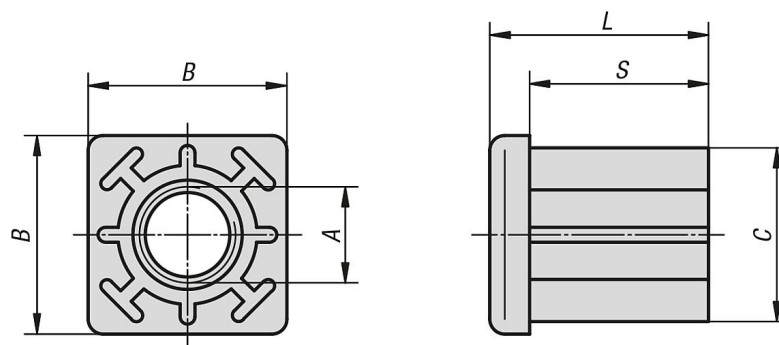
Version:

Insert black.
Tapped bush nickel-plated.

Note:

Threaded square inserts for attaching levelling feet, swivel feet and castors to square tubes.

Drawings



Overview of items

Tube inserts square with tapped bush

Tube inserts square with tapped bush

Overview of items

| Order No. | A | B | C | L | S | Suitable for square tubes | Load rating max. kN |
|--------------|-----|----|------|----|----|---------------------------|---------------------|
| K0430.103015 | M10 | 30 | 27,5 | 33 | 27 | 30 x 1,5 | 5 |
| K0430.123015 | M12 | 30 | 27,5 | 33 | 27 | 30 x 1,5 | 5 |
| K0430.143015 | M14 | 30 | 27,5 | 33 | 27 | 30 x 1,5 | 5 |
| K0430.163015 | M16 | 30 | 27,5 | 33 | 27 | 30 x 1,5 | 5 |
| K0430.103020 | M10 | 30 | 26,5 | 33 | 27 | 30 x 2 | 5 |
| K0430.123020 | M12 | 30 | 26,5 | 33 | 27 | 30 x 2 | 5 |
| K0430.143020 | M14 | 30 | 26,5 | 33 | 27 | 30 x 2 | 5 |
| K0430.163020 | M16 | 30 | 26,5 | 33 | 27 | 30 x 2 | 5 |
| K0430.104015 | M10 | 40 | 37,5 | 43 | 35 | 40 x 1,5 | 8 |
| K0430.124015 | M12 | 40 | 37,5 | 43 | 35 | 40 x 1,5 | 8 |
| K0430.144015 | M14 | 40 | 37,5 | 43 | 35 | 40 x 1,5 | 8 |
| K0430.164015 | M16 | 40 | 37,5 | 43 | 35 | 40 x 1,5 | 8 |
| K0430.204015 | M20 | 40 | 37,5 | 43 | 35 | 40 x 1,5 | 8 |
| K0430.104020 | M10 | 40 | 36,5 | 43 | 35 | 40 x 2 | 10 |
| K0430.124020 | M12 | 40 | 36,5 | 43 | 35 | 40 x 2 | 10 |
| K0430.144020 | M14 | 40 | 36,5 | 43 | 35 | 40 x 2 | 10 |
| K0430.164020 | M16 | 40 | 36,5 | 43 | 35 | 40 x 2 | 10 |
| K0430.204020 | M20 | 40 | 36,5 | 43 | 35 | 40 x 2 | 10 |
| K0430.104025 | M10 | 40 | 35,5 | 43 | 35 | 40 x 2,5 | 10 |
| K0430.124025 | M12 | 40 | 35,5 | 43 | 35 | 40 x 2,5 | 10 |
| K0430.144025 | M14 | 40 | 35,5 | 43 | 35 | 40 x 2,5 | 10 |
| K0430.164025 | M16 | 40 | 35,5 | 43 | 35 | 40 x 2,5 | 10 |
| K0430.204025 | M20 | 40 | 35,5 | 43 | 35 | 40 x 2,5 | 10 |
| K0430.104030 | M10 | 40 | 34,5 | 43 | 35 | 40 x 3 | 10 |
| K0430.124030 | M12 | 40 | 34,5 | 43 | 35 | 40 x 3 | 10 |
| K0430.144030 | M14 | 40 | 34,5 | 43 | 35 | 40 x 3 | 10 |
| K0430.164030 | M16 | 40 | 34,5 | 43 | 35 | 40 x 3 | 10 |
| K0430.204030 | M20 | 40 | 34,5 | 43 | 35 | 40 x 3 | 10 |
| K0430.104040 | M10 | 40 | 32,5 | 43 | 35 | 40 x 4 | 10 |
| K0430.124040 | M12 | 40 | 32,5 | 43 | 35 | 40 x 4 | 10 |
| K0430.144040 | M14 | 40 | 32,5 | 43 | 35 | 40 x 4 | 10 |
| K0430.164040 | M16 | 40 | 32,5 | 43 | 35 | 40 x 4 | 10 |
| K0430.204040 | M20 | 40 | 32,5 | 43 | 35 | 40 x 4 | 10 |
| K0430.125015 | M12 | 50 | 47,5 | 55 | 44 | 50 x 1,5 | 8 |
| K0430.145015 | M14 | 50 | 47,5 | 55 | 44 | 50 x 1,5 | 8 |
| K0430.165015 | M16 | 50 | 47,5 | 55 | 44 | 50 x 1,5 | 8 |
| K0430.205015 | M20 | 50 | 47,5 | 55 | 44 | 50 x 1,5 | 8 |
| K0430.125020 | M12 | 50 | 46,5 | 55 | 44 | 50 x 2 | 12 |
| K0430.145020 | M14 | 50 | 46,5 | 55 | 44 | 50 x 2 | 12 |
| K0430.165020 | M16 | 50 | 46,5 | 55 | 44 | 50 x 2 | 12 |
| K0430.205020 | M20 | 50 | 46,5 | 55 | 44 | 50 x 2 | 12 |
| K0430.125025 | M12 | 50 | 45,5 | 55 | 44 | 50 x 2,5 | 12 |
| K0430.145025 | M14 | 50 | 45,5 | 55 | 44 | 50 x 2,5 | 12 |
| K0430.165025 | M16 | 50 | 45,5 | 55 | 44 | 50 x 2,5 | 12 |
| K0430.205025 | M20 | 50 | 45,5 | 55 | 44 | 50 x 2,5 | 12 |
| K0430.125030 | M12 | 50 | 44,5 | 55 | 44 | 50 x 3 | 12 |
| K0430.145030 | M14 | 50 | 44,5 | 55 | 44 | 50 x 3 | 12 |
| K0430.165030 | M16 | 50 | 44,5 | 55 | 44 | 50 x 3 | 12 |
| K0430.205030 | M20 | 50 | 44,5 | 55 | 44 | 50 x 3 | 12 |
| K0430.125040 | M12 | 50 | 42,5 | 55 | 44 | 50 x 4 | 12 |
| K0430.145040 | M14 | 50 | 42,5 | 55 | 44 | 50 x 4 | 12 |
| K0430.165040 | M16 | 50 | 42,5 | 55 | 44 | 50 x 4 | 12 |
| K0430.205040 | M20 | 50 | 42,5 | 55 | 44 | 50 x 4 | 12 |
| K0430.146020 | M14 | 60 | 56,5 | 55 | 45 | 60 x 2 | 12 |
| K0430.166020 | M16 | 60 | 56,5 | 55 | 45 | 60 x 2 | 12 |
| K0430.206020 | M20 | 60 | 56,5 | 55 | 45 | 60 x 2 | 12 |
| K0430.146030 | M14 | 60 | 54,5 | 55 | 45 | 60 x 3 | 12 |
| K0430.166030 | M16 | 60 | 54,5 | 55 | 45 | 60 x 3 | 12 |
| K0430.206030 | M20 | 60 | 54,5 | 55 | 45 | 60 x 3 | 12 |
| K0430.146040 | M14 | 60 | 52,5 | 55 | 45 | 60 x 4 | 12 |
| K0430.166040 | M16 | 60 | 52,5 | 55 | 45 | 60 x 4 | 12 |
| K0430.206040 | M20 | 60 | 52,5 | 55 | 45 | 60 x 4 | 12 |

