

## Swivel feet plates plastic

### Item description/product images



### Description

#### Material:

Plates, thermoplastic, glass bead reinforced.  
Anti-slip plate thermoplastic elastomer.

#### Version:

Black.

#### Note:

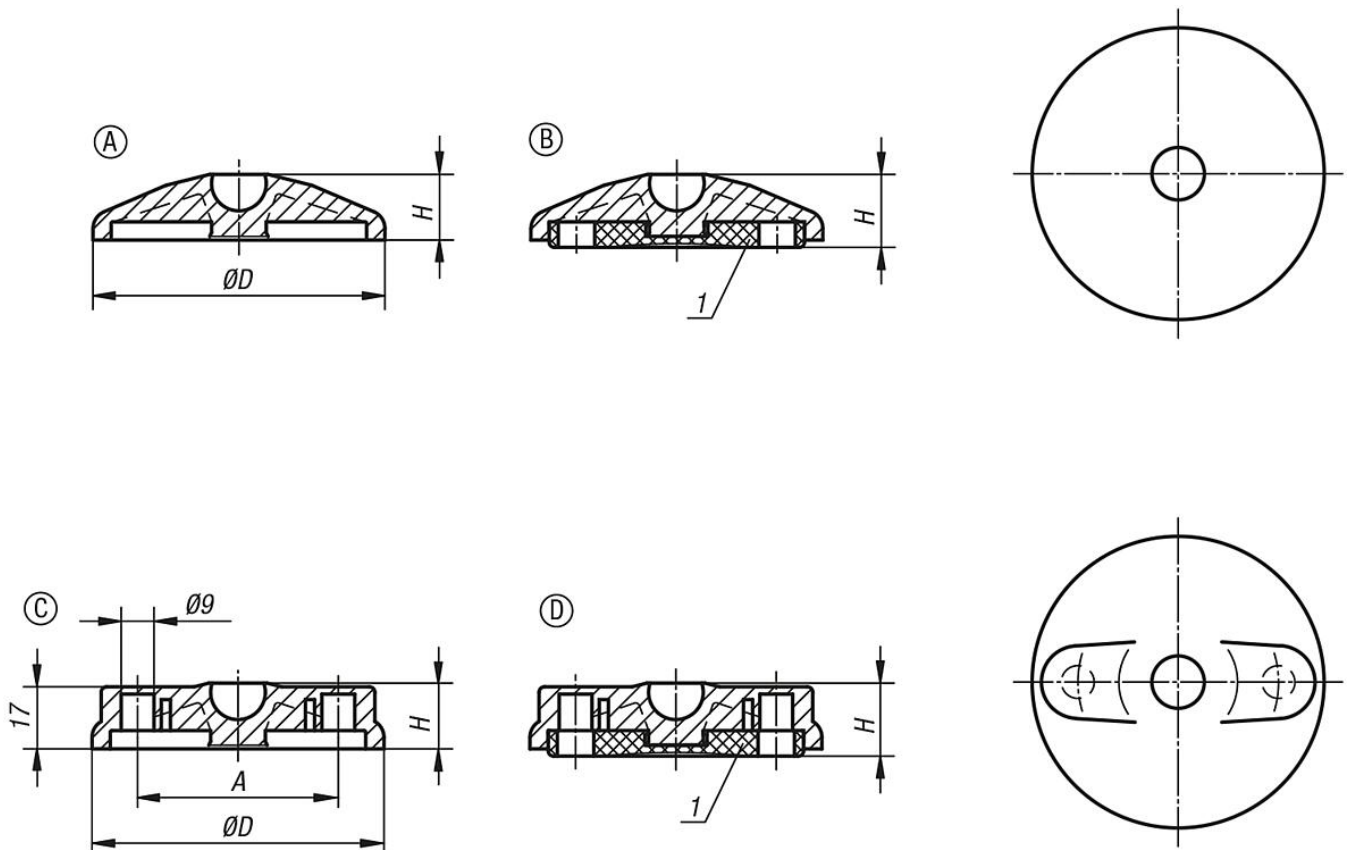
Swivel feet consist of a plate and a threaded spindle or ball joint. Any plate can be combined with any threaded spindle or ball joint. The anti-slip plate absorbs vibrations and prevents the swivel foot slipping.  
For matching threaded spindles see K0421.  
For matching ball joints see K0422.

#### Drawing reference:

Form A without screw-on hole, without anti-slip plate  
Form B without screw-on hole, with anti-slip plate  
Form C with screw-on hole (closed), without anti-slip plate  
Form D with screw-on hole (closed), with anti-slip plate

1) From plate  $\varnothing 80$

### Drawings



## Swivel feet plates plastic

### Overview of items

#### Swivel feet plates, plastic

Order No.	Form	Size	D	A	H	Load rating max. kN
K0415.1030	A	30	29	-	18	5
K0415.1040	A	40	39	-	18	9
K0415.1045	A	45	44	-	18	9
K0415.1050	A	50	49	-	18	9
K0415.1060	A	60	59	-	18	9
K0415.1080	A	80	79	-	18	9
K0415.1100	A	100	99	-	18	9
K0415.2030	B	30	29	-	20	5
K0415.2040	B	40	39	-	20	9
K0415.2045	B	45	44	-	20	9
K0415.2050	B	50	49	-	20	9
K0415.2060	B	60	59	-	20	9
K0415.2080	B	80	79	-	20	9
K0415.2100	B	100	99	-	20	9
K0415.3080	C	80	79	55	18	9
K0415.3100	C	100	99	74	18	9
K0415.3120	C	120	119	94	18	9
K0415.4080	D	80	79	55	20	9
K0415.4100	D	100	99	74	20	9
K0415.4120	D	120	119	94	20	9