

Mounting brackets

Item description/product images



Description

Product description:

Mounting brackets form a compact unit with position indicators. They guarantee reliable spindle clamping without additional construction work.

Material:

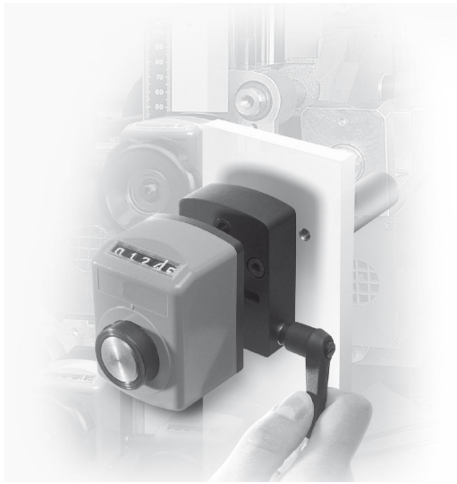
Mounting position 1, housing die-cast zinc
Mounting position 3, housing aluminium.
Clamping lever plastic.

Version:

Installed position 1, housing, painted.
Installed position 3, housing anodised.
Clamping lever dark grey.

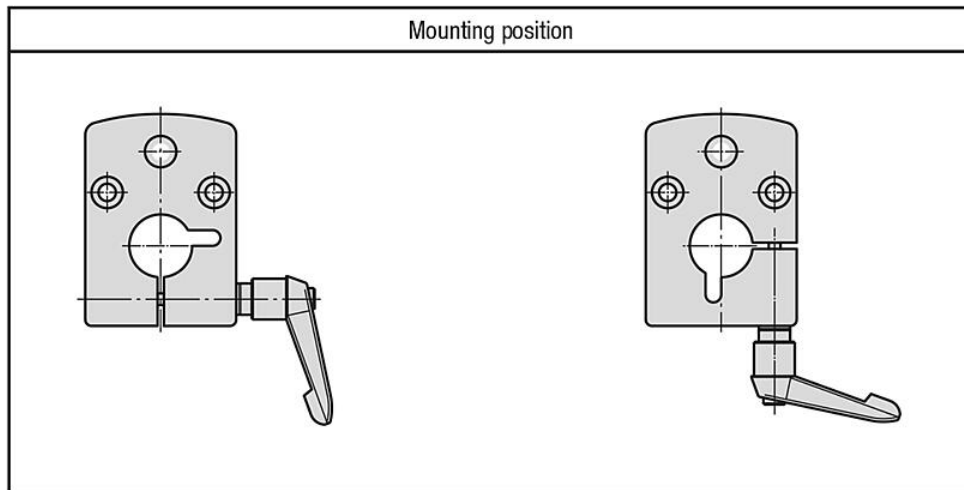
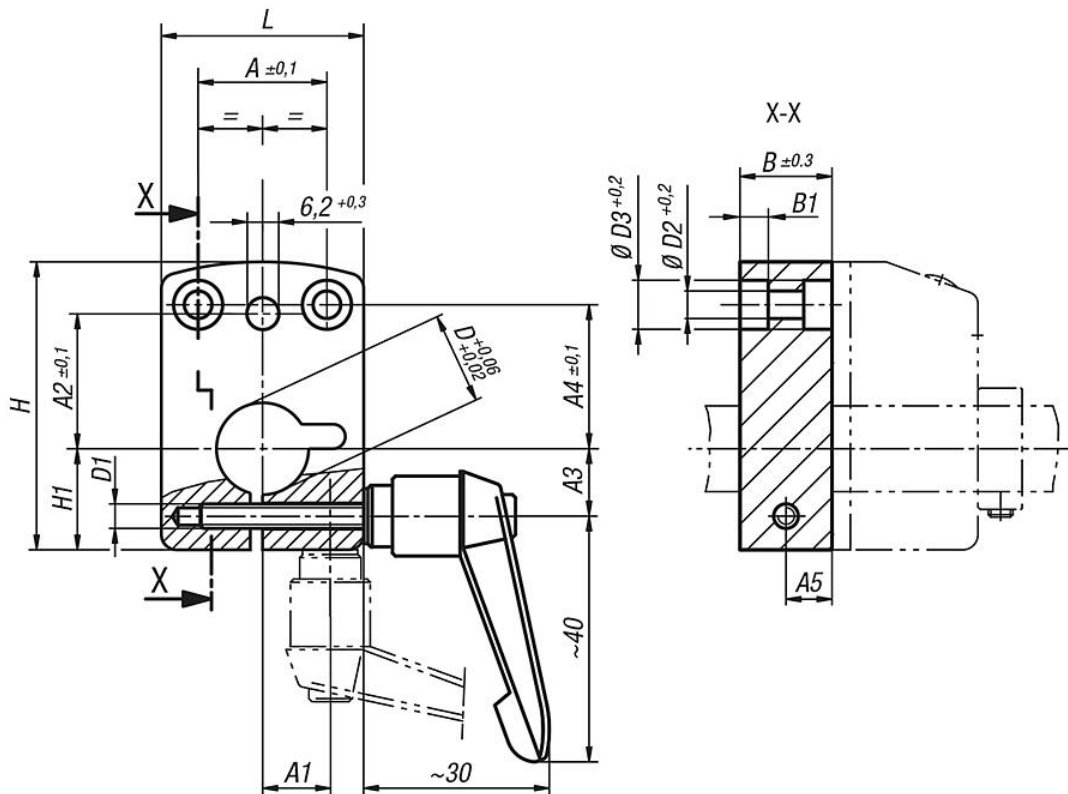
Note:

Due to the simple assembly, the mounting bracket is also suitable for retrofitting to existing systems.



Mounting brackets

Drawings



K0414.1

K0414.3

Overview of items

Mounting brackets

Order No.	Assembly position	A	A1	A2	A3	A4	A5	B	B1	D	D1	D2	D3	H	H1	L	Suitable for
K0414.04081	1	21	-	22	11	23,5	7,5	15	4,6	8	M4	4,5	8	47	16,5	33	K0409
K0414.04101	1	21	-	22	11	23,5	7,5	15	4,6	10	M4	4,5	8	47	16,5	33	K0409
K0414.04121	1	21	-	22	11	23,5	7,5	15	4,6	12	M4	4,5	8	47	16,5	33	K0409
K0414.04141	1	21	-	22	11	23,5	7,5	15	4,6	14	M4	4,5	8	47	16,5	33	K0409

Mounting brackets

Overview of items

Order No.	Assembly position	A	A1	A2	A3	A4	A5	B	B1	D	D1	D2	D3	H	H1	L	Suitable for
K0414.09121	1	34	-	30	17	17	10	20	5,5	12	M5	5,5	10	67,5	25,5	48	K0410
K0414.09141	1	34	-	30	17	17	10	20	5,5	14	M5	5,5	10	67,5	25,5	48	K0410
K0414.09161	1	34	-	30	17	17	10	20	5,5	16	M5	5,5	10	67,5	25,5	48	K0410
K0414.09201	1	34	-	30	17	17	10	20	5,5	20	M5	5,5	10	67,5	25,5	48	K0410
K0414.04083	3	21	11	22	-	23,5	7,5	15	4,6	8	M4	4,5	8	47	16,5	33	K0409
K0414.04103	3	21	11	22	-	23,5	7,5	15	4,6	10	M4	4,5	8	47	16,5	33	K0409
K0414.04123	3	21	11	22	-	23,5	7,5	15	4,6	12	M4	4,5	8	47	16,5	33	K0409
K0414.04143	3	21	11	22	-	23,5	7,5	15	4,6	14	M4	4,5	8	47	16,5	33	K0409
K0414.09123	3	34	17	30	-	17	10	20	5,5	12	M5	5,5	10	67,5	25,5	48	K0410
K0414.09143	3	34	17	30	-	17	10	20	5,5	14	M5	5,5	10	67,5	25,5	48	K0410
K0414.09163	3	34	17	30	-	17	10	20	5,5	16	M5	5,5	10	67,5	25,5	48	K0410
K0414.09203	3	34	17	30	-	17	10	20	5,5	20	M5	5,5	10	67,5	25,5	48	K0410