

Position indicators

Item description/product images



Description

Material:

Housing polyamide 6.
Hollow shaft steel.
Screen plastic.
Grub screw steel.

Version:

Impact-resistant housing.
Hollow shaft black oxidised.
Grub screw black.
Dial black, digits white.

Note:

Position indicators allow direct reading of input measurement values at a glance. In addition the value indicated per spindle rotation (corresponding spindle pitch) can be selected and the various indicator values are realised by a transmission gear. The position indicators are distinguished by their very clear display and fine scale. They have a torque support that is positioned in a hole on the side.

** At the 1st asterisk give assembly position and at the 2nd asterisk give the count direction (see sample order "assembly position, count direction").

Technical data:

- Counter consisting of 5 10-position dials + fine scale
- Height of figures about 7 mm
- Hollow shaft \varnothing 20 H7 mm
- Temperature resistant to 80 °C
- Oil and solvent resistant
- Dust-proof

On request:

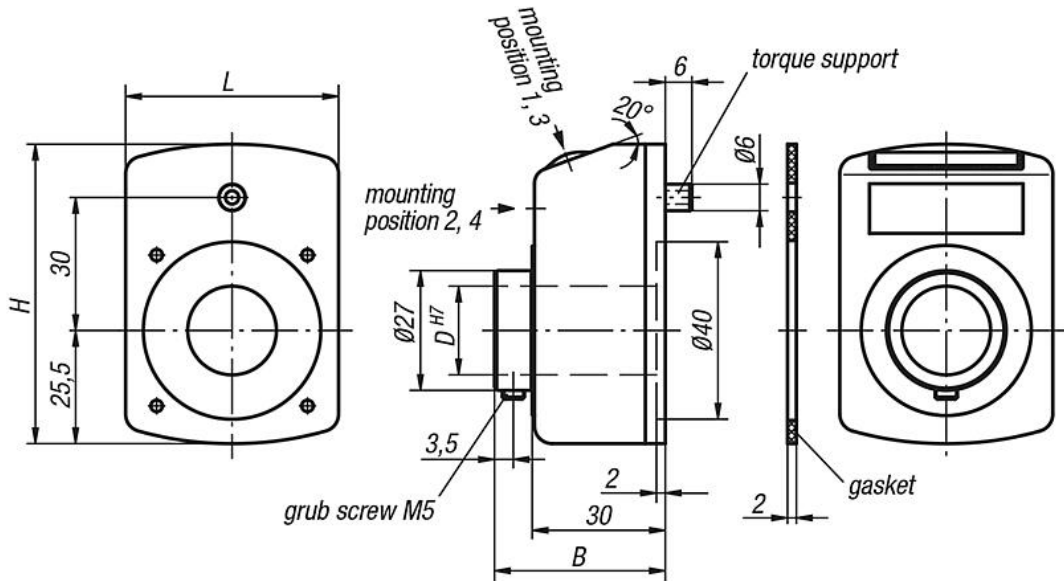
- Counter cover made of mineral glass
- Axial sealing (dust-proof)
- Waterproof
- Vibration protection

Accessory:

- Reducing bushes K0412
- Insert plate K0413
- Mounting plates K0414

Position indicators

Drawings



Display after one rotation, with decimal point:	Mounting position (1 - 4):
e. g. K0410.01002111 0100 = 1 mm increments 2 = decimal places	e. g. K0410.01002111 = mounting position 1

Count direction (1 - 2):	Colour (1 - 2):
e. g. K0410.01002111 1 = clockwise (ascending values) 2 = anticlockwise (ascending values)	e. g. K0410.01002111 1 = orange 2 = black

Overview of items

Position indicators

Position indicators

Overview of items

Order No.	Main colour	B	D	H	L	Pitch	Assembly position	Count direction	Indicator after one rotation	Decimal point in position	max. rpm
K0410.01002111	orange RAL 2004	38,5	20	67,5	48	1	1	1	000,10	2	500
K0410.01002121	orange RAL 2004	38,5	20	67,5	48	1	1	2	000,10	2	500
K0410.01002211	orange RAL 2004	38,5	20	67,5	48	1	2	1	000,10	2	500
K0410.01002221	orange RAL 2004	38,5	20	67,5	48	1	2	2	000,10	2	500
K0410.01002311	orange RAL 2004	38,5	20	67,5	48	1	3	1	000,10	2	500
K0410.01002321	orange RAL 2004	38,5	20	67,5	48	1	3	2	000,10	2	500
K0410.01002411	orange RAL 2004	38,5	20	67,5	48	1	4	1	000,10	2	500
K0410.01002421	orange RAL 2004	38,5	20	67,5	48	1	4	2	000,10	2	500
K0410.01001111	orange RAL 2004	38,5	20	67,5	48	1	1	1	0001,0	1	500
K0410.01001121	orange RAL 2004	38,5	20	67,5	48	1	1	2	0001,0	1	500
K0410.01001211	orange RAL 2004	38,5	20	67,5	48	1	2	1	0001,0	1	500
K0410.01001221	orange RAL 2004	38,5	20	67,5	48	1	2	2	0001,0	1	500
K0410.01001311	orange RAL 2004	38,5	20	67,5	48	1	3	1	0001,0	1	500
K0410.01001321	orange RAL 2004	38,5	20	67,5	48	1	3	2	0001,0	1	500
K0410.01001411	orange RAL 2004	38,5	20	67,5	48	1	4	1	0001,0	1	500
K0410.01001421	orange RAL 2004	38,5	20	67,5	48	1	4	2	0001,0	1	500
K0410.01501111	orange RAL 2004	38,5	20	67,5	48	1,5	1	1	0001,5	1	500
K0410.01501121	orange RAL 2004	38,5	20	67,5	48	1,5	1	2	0001,5	1	500
K0410.01501211	orange RAL 2004	38,5	20	67,5	48	1,5	2	1	0001,5	1	500
K0410.01501221	orange RAL 2004	38,5	20	67,5	48	1,5	2	2	0001,5	1	500
K0410.01501311	orange RAL 2004	38,5	20	67,5	48	1,5	3	1	0001,5	1	500
K0410.01501321	orange RAL 2004	38,5	20	67,5	48	1,5	3	2	0001,5	1	500
K0410.01501411	orange RAL 2004	38,5	20	67,5	48	1,5	4	1	0001,5	1	500
K0410.01501421	orange RAL 2004	38,5	20	67,5	48	1,5	4	2	0001,5	1	500
K0410.02001111	orange RAL 2004	38,5	20	67,5	48	2	1	1	0002,0	1	500
K0410.02001121	orange RAL 2004	38,5	20	67,5	48	2	1	2	0002,0	1	500
K0410.02001211	orange RAL 2004	38,5	20	67,5	48	2	2	1	0002,0	1	500
K0410.02001221	orange RAL 2004	38,5	20	67,5	48	2	2	2	0002,0	1	500
K0410.02001311	orange RAL 2004	38,5	20	67,5	48	2	3	1	0002,0	1	500
K0410.02001321	orange RAL 2004	38,5	20	67,5	48	2	3	2	0002,0	1	500
K0410.02001411	orange RAL 2004	38,5	20	67,5	48	2	4	1	0002,0	1	500
K0410.02001421	orange RAL 2004	38,5	20	67,5	48	2	4	2	0002,0	1	500
K0410.02501111	orange RAL 2004	38,5	20	67,5	48	2,5	1	1	0002,5	1	500
K0410.02501121	orange RAL 2004	38,5	20	67,5	48	2,5	1	2	0002,5	1	500
K0410.02501211	orange RAL 2004	38,5	20	67,5	48	2,5	2	1	0002,5	1	500
K0410.02501221	orange RAL 2004	38,5	20	67,5	48	2,5	2	2	0002,5	1	500
K0410.02501311	orange RAL 2004	38,5	20	67,5	48	2,5	3	1	0002,5	1	500
K0410.02501321	orange RAL 2004	38,5	20	67,5	48	2,5	3	2	0002,5	1	500
K0410.02501411	orange RAL 2004	38,5	20	67,5	48	2,5	4	1	0002,5	1	500
K0410.02501421	orange RAL 2004	38,5	20	67,5	48	2,5	4	2	0002,5	1	500
K0410.03001111	orange RAL 2004	38,5	20	67,5	48	3	1	1	0003,0	1	500
K0410.03001121	orange RAL 2004	38,5	20	67,5	48	3	1	2	0003,0	1	500
K0410.03001211	orange RAL 2004	38,5	20	67,5	48	3	2	1	0003,0	1	500
K0410.03001221	orange RAL 2004	38,5	20	67,5	48	3	2	2	0003,0	1	500
K0410.03001311	orange RAL 2004	38,5	20	67,5	48	3	3	1	0003,0	1	500
K0410.03001321	orange RAL 2004	38,5	20	67,5	48	3	3	2	0003,0	1	500
K0410.03001411	orange RAL 2004	38,5	20	67,5	48	3	4	1	0003,0	1	500
K0410.03001421	orange RAL 2004	38,5	20	67,5	48	3	4	2	0003,0	1	500
K0410.04001111	orange RAL 2004	38,5	20	67,5	48	4	1	1	0004,0	1	375
K0410.04001121	orange RAL 2004	38,5	20	67,5	48	4	1	2	0004,0	1	375
K0410.04001211	orange RAL 2004	38,5	20	67,5	48	4	2	1	0004,0	1	375
K0410.04001221	orange RAL 2004	38,5	20	67,5	48	4	2	2	0004,0	1	375
K0410.04001311	orange RAL 2004	38,5	20	67,5	48	4	3	1	0004,0	1	375
K0410.04001321	orange RAL 2004	38,5	20	67,5	48	4	3	2	0004,0	1	375
K0410.04001411	orange RAL 2004	38,5	20	67,5	48	4	4	1	0004,0	1	375
K0410.04001421	orange RAL 2004	38,5	20	67,5	48	4	4	2	0004,0	1	375
K0410.05001111	orange RAL 2004	38,5	20	67,5	48	5	1	1	0005,0	1	300
K0410.05001121	orange RAL 2004	38,5	20	67,5	48	5	1	2	0005,0	1	300
K0410.05001211	orange RAL 2004	38,5	20	67,5	48	5	2	1	0005,0	1	300
K0410.05001221	orange RAL 2004	38,5	20	67,5	48	5	2	2	0005,0	1	300
K0410.05001311	orange RAL 2004	38,5	20	67,5	48	5	3	1	0005,0	1	300

Position indicators

Overview of items

Order No.	Main colour	B	D	H	L	Pitch	Assembly position	Count direction	Indicator after one rotation	Decimal point in position	max. rpm
K0410.05001321	orange RAL 2004	38,5	20	67,5	48	5	3	2	0005,0	1	300
K0410.05001411	orange RAL 2004	38,5	20	67,5	48	5	4	1	0005,0	1	300
K0410.05001421	orange RAL 2004	38,5	20	67,5	48	5	4	2	0005,0	1	300
K0410.06001111	orange RAL 2004	38,5	20	67,5	48	6	1	1	0006,0	1	250
K0410.06001121	orange RAL 2004	38,5	20	67,5	48	6	1	2	0006,0	1	250
K0410.06001211	orange RAL 2004	38,5	20	67,5	48	6	2	1	0006,0	1	250
K0410.06001221	orange RAL 2004	38,5	20	67,5	48	6	2	2	0006,0	1	250
K0410.06001311	orange RAL 2004	38,5	20	67,5	48	6	3	1	0006,0	1	250
K0410.06001321	orange RAL 2004	38,5	20	67,5	48	6	3	2	0006,0	1	250
K0410.06001411	orange RAL 2004	38,5	20	67,5	48	6	4	1	0006,0	1	250
K0410.06001421	orange RAL 2004	38,5	20	67,5	48	6	4	2	0006,0	1	250
K0410.10001111	orange RAL 2004	38,5	20	67,5	48	10	1	1	0010,0	1	150
K0410.10001121	orange RAL 2004	38,5	20	67,5	48	10	1	2	0010,0	1	150
K0410.10001211	orange RAL 2004	38,5	20	67,5	48	10	2	1	0010,0	1	150
K0410.10001221	orange RAL 2004	38,5	20	67,5	48	10	2	2	0010,0	1	150
K0410.10001311	orange RAL 2004	38,5	20	67,5	48	10	3	1	0010,0	1	150
K0410.10001321	orange RAL 2004	38,5	20	67,5	48	10	3	2	0010,0	1	150
K0410.10001411	orange RAL 2004	38,5	20	67,5	48	10	4	1	0010,0	1	150
K0410.10001421	orange RAL 2004	38,5	20	67,5	48	10	4	2	0010,0	1	150
K0410.01002112	black	38,5	20	67,5	48	1	1	1	000,10	2	500
K0410.01002122	black	38,5	20	67,5	48	1	1	2	000,10	2	500
K0410.01002212	black	38,5	20	67,5	48	1	2	1	000,10	2	500
K0410.01002222	black	38,5	20	67,5	48	1	2	2	000,10	2	500
K0410.01002312	black	38,5	20	67,5	48	1	3	1	000,10	2	500
K0410.01002322	black	38,5	20	67,5	48	1	3	2	000,10	2	500
K0410.01002412	black	38,5	20	67,5	48	1	4	1	000,10	2	500
K0410.01002422	black	38,5	20	67,5	48	1	4	2	000,10	2	500
K0410.01001112	black	38,5	20	67,5	48	1	1	1	0001,0	1	500
K0410.01001122	black	38,5	20	67,5	48	1	1	2	0001,0	1	500
K0410.01001212	black	38,5	20	67,5	48	1	2	1	0001,0	1	500
K0410.01001222	black	38,5	20	67,5	48	1	2	2	0001,0	1	500
K0410.01001312	black	38,5	20	67,5	48	1	3	1	0001,0	1	500
K0410.01001322	black	38,5	20	67,5	48	1	3	2	0001,0	1	500
K0410.01001412	black	38,5	20	67,5	48	1	4	1	0001,0	1	500
K0410.01001422	black	38,5	20	67,5	48	1	4	2	0001,0	1	500
K0410.01501112	black	38,5	20	67,5	48	1,5	1	1	0001,5	1	500
K0410.01501122	black	38,5	20	67,5	48	1,5	1	2	0001,5	1	500
K0410.01501212	black	38,5	20	67,5	48	1,5	2	1	0001,5	1	500
K0410.01501222	black	38,5	20	67,5	48	1,5	2	2	0001,5	1	500
K0410.01501312	black	38,5	20	67,5	48	1,5	3	1	0001,5	1	500
K0410.01501322	black	38,5	20	67,5	48	1,5	3	2	0001,5	1	500
K0410.01501412	black	38,5	20	67,5	48	1,5	4	1	0001,5	1	500
K0410.01501422	black	38,5	20	67,5	48	1,5	4	2	0001,5	1	500
K0410.02001112	black	38,5	20	67,5	48	2	1	1	0002,0	1	500
K0410.02001122	black	38,5	20	67,5	48	2	1	2	0002,0	1	500
K0410.02001212	black	38,5	20	67,5	48	2	2	1	0002,0	1	500
K0410.02001222	black	38,5	20	67,5	48	2	2	2	0002,0	1	500
K0410.02001312	black	38,5	20	67,5	48	2	3	1	0002,0	1	500
K0410.02001322	black	38,5	20	67,5	48	2	3	2	0002,0	1	500
K0410.02001412	black	38,5	20	67,5	48	2	4	1	0002,0	1	500
K0410.02001422	black	38,5	20	67,5	48	2	4	2	0002,0	1	500
K0410.02501112	black	38,5	20	67,5	48	2,5	1	1	0002,5	1	500
K0410.02501122	black	38,5	20	67,5	48	2,5	1	2	0002,5	1	500
K0410.02501212	black	38,5	20	67,5	48	2,5	2	1	0002,5	1	500
K0410.02501222	black	38,5	20	67,5	48	2,5	2	2	0002,5	1	500
K0410.02501312	black	38,5	20	67,5	48	2,5	3	1	0002,5	1	500
K0410.02501322	black	38,5	20	67,5	48	2,5	3	2	0002,5	1	500
K0410.02501412	black	38,5	20	67,5	48	2,5	4	1	0002,5	1	500
K0410.02501422	black	38,5	20	67,5	48	2,5	4	2	0002,5	1	500
K0410.03001112	black	38,5	20	67,5	48	3	1	1	0003,0	1	500
K0410.03001122	black	38,5	20	67,5	48	3	1	2	0003,0	1	500

Position indicators

Overview of items

Order No.	Main colour	B	D	H	L	Pitch	Assembly position	Count direction	Indicator after one rotation	Decimal point in position	max. rpm
K0410.03001212	black	38,5	20	67,5	48	3	2	1	0003,0	1	500
K0410.03001222	black	38,5	20	67,5	48	3	2	2	0003,0	1	500
K0410.03001312	black	38,5	20	67,5	48	3	3	1	0003,0	1	500
K0410.03001322	black	38,5	20	67,5	48	3	3	2	0003,0	1	500
K0410.03001412	black	38,5	20	67,5	48	3	4	1	0003,0	1	500
K0410.03001422	black	38,5	20	67,5	48	3	4	2	0003,0	1	500
K0410.04001112	black	38,5	20	67,5	48	4	1	1	0004,0	1	375
K0410.04001122	black	38,5	20	67,5	48	4	1	2	0004,0	1	375
K0410.04001212	black	38,5	20	67,5	48	4	2	1	0004,0	1	375
K0410.04001222	black	38,5	20	67,5	48	4	2	2	0004,0	1	375
K0410.04001312	black	38,5	20	67,5	48	4	3	1	0004,0	1	375
K0410.04001322	black	38,5	20	67,5	48	4	3	2	0004,0	1	375
K0410.04001412	black	38,5	20	67,5	48	4	4	1	0004,0	1	375
K0410.04001422	black	38,5	20	67,5	48	4	4	2	0004,0	1	375
K0410.05001112	black	38,5	20	67,5	48	5	1	1	0005,0	1	300
K0410.05001122	black	38,5	20	67,5	48	5	1	2	0005,0	1	300
K0410.05001212	black	38,5	20	67,5	48	5	2	1	0005,0	1	300
K0410.05001222	black	38,5	20	67,5	48	5	2	2	0005,0	1	300
K0410.05001312	black	38,5	20	67,5	48	5	3	1	0005,0	1	300
K0410.05001322	black	38,5	20	67,5	48	5	3	2	0005,0	1	300
K0410.05001412	black	38,5	20	67,5	48	5	4	1	0005,0	1	300
K0410.05001422	black	38,5	20	67,5	48	5	4	2	0005,0	1	300
K0410.06001112	black	38,5	20	67,5	48	6	1	1	0006,0	1	250
K0410.06001122	black	38,5	20	67,5	48	6	1	2	0006,0	1	250
K0410.06001212	black	38,5	20	67,5	48	6	2	1	0006,0	1	250
K0410.06001222	black	38,5	20	67,5	48	6	2	2	0006,0	1	250
K0410.06001312	black	38,5	20	67,5	48	6	3	1	0006,0	1	250
K0410.06001322	black	38,5	20	67,5	48	6	3	2	0006,0	1	250
K0410.06001412	black	38,5	20	67,5	48	6	4	1	0006,0	1	250
K0410.06001422	black	38,5	20	67,5	48	6	4	2	0006,0	1	250
K0410.10001112	black	38,5	20	67,5	48	10	1	1	0010,0	1	150
K0410.10001122	black	38,5	20	67,5	48	10	1	2	0010,0	1	150
K0410.10001212	black	38,5	20	67,5	48	10	2	1	0010,0	1	150
K0410.10001222	black	38,5	20	67,5	48	10	2	2	0010,0	1	150
K0410.10001312	black	38,5	20	67,5	48	10	3	1	0010,0	1	150
K0410.10001322	black	38,5	20	67,5	48	10	3	2	0010,0	1	150
K0410.10001412	black	38,5	20	67,5	48	10	4	1	0010,0	1	150
K0410.10001422	black	38,5	20	67,5	48	10	4	2	0010,0	1	150