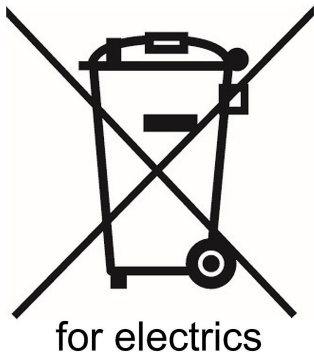


Position indicators

Item description/product images



Description

Material:

Housing polyamide 6.
Hollow shaft steel.
Screen plastic.
Grub screw steel.

Version:

Impact-resistant housing.
Hollow shaft black oxidised.
Grub screw black.
Dial black, digits white.

Note:

Position indicators allow direct reading of input measurement values at a glance. In addition, the value indicated per spindle rotation (corresponding spindle pitch) can be selected and the various indicator values are realised by a transmission gear. The position indicators are distinguished by their small construction with very clear display.

They are especially suitable for small spindle distances and small shaft diameters and have a torque support that is positioned in a hole on the side.

** At the 1st asterisk give assembly position and at the 2nd asterisk give the count direction (see sample order "assembly position, count direction").

Technical data:

- Counter consisting of 3 10-position dials
- Height of figures about 4 mm
- Hollow shaft \varnothing 10 H7 mm
- Temperature resistant to 80 °C
- Oil and solvent resistant

On request:

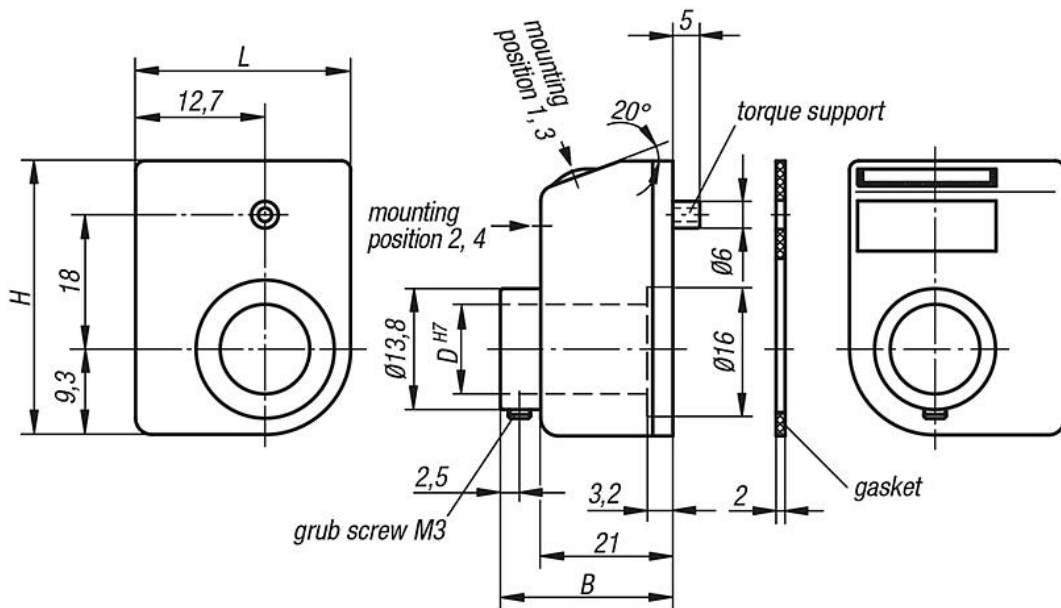
- Indicator for inch

Accessory:

- Reducing bushes K0412

Position indicators

Drawings



Display after one rotation, with decimal point:	Mounting position (1 - 4):
e. g. K0408.01001111 0100 = 1mm pitch 1 = decimal places	e. g. K0408.01001111 = mounting position 1

Count direction (1 - 2):	Colour (1 - 2):
e. g. K0408.01001111 1 = clockwise (ascending values) 2 = anticlockwise (ascending values)	e. g. K0408.01001111 1 = orange 2 = black

Overview of items

Position indicators

Position indicators

Overview of items

Order No.	Main colour	B	D	H	L	Pitch	Assembly position	Count direction	Indicator after one rotation	Decimal point in position	max. rpm
K0408.01001111	orange RAL 2004	26	10	33	22	1	1	1	01,0	1	500
K0408.01001121	orange RAL 2004	26	10	33	22	1	1	2	01,0	1	500
K0408.01001211	orange RAL 2004	26	10	33	22	1	2	1	01,0	1	500
K0408.01001221	orange RAL 2004	26	10	33	22	1	2	2	01,0	1	500
K0408.01001311	orange RAL 2004	26	10	33	22	1	3	1	01,0	1	500
K0408.01001321	orange RAL 2004	26	10	33	22	1	3	2	01,0	1	500
K0408.01001411	orange RAL 2004	26	10	33	22	1	4	1	01,0	1	500
K0408.01001421	orange RAL 2004	26	10	33	22	1	4	2	01,0	1	500
K0408.02001111	orange RAL 2004	26	10	33	22	2	1	1	02,0	1	500
K0408.02001121	orange RAL 2004	26	10	33	22	2	1	2	02,0	1	500
K0408.02001211	orange RAL 2004	26	10	33	22	2	2	1	02,0	1	500
K0408.02001221	orange RAL 2004	26	10	33	22	2	2	2	02,0	1	500
K0408.02001311	orange RAL 2004	26	10	33	22	2	3	1	02,0	1	500
K0408.02001321	orange RAL 2004	26	10	33	22	2	3	2	02,0	1	500
K0408.02001411	orange RAL 2004	26	10	33	22	2	4	1	02,0	1	500
K0408.02001421	orange RAL 2004	26	10	33	22	2	4	2	02,0	1	500
K0408.02501111	orange RAL 2004	26	10	33	22	2,5	1	1	02,5	1	500
K0408.02501121	orange RAL 2004	26	10	33	22	2,5	1	2	02,5	1	500
K0408.02501211	orange RAL 2004	26	10	33	22	2,5	2	1	02,5	1	500
K0408.02501221	orange RAL 2004	26	10	33	22	2,5	2	2	02,5	1	500
K0408.02501311	orange RAL 2004	26	10	33	22	2,5	3	1	02,5	1	500
K0408.02501321	orange RAL 2004	26	10	33	22	2,5	3	2	02,5	1	500
K0408.02501411	orange RAL 2004	26	10	33	22	2,5	4	1	02,5	1	500
K0408.02501421	orange RAL 2004	26	10	33	22	2,5	4	2	02,5	1	500
K0408.03001111	orange RAL 2004	26	10	33	22	3	1	1	03,0	1	500
K0408.03001121	orange RAL 2004	26	10	33	22	3	1	2	03,0	1	500
K0408.03001211	orange RAL 2004	26	10	33	22	3	2	1	03,0	1	500
K0408.03001221	orange RAL 2004	26	10	33	22	3	2	2	03,0	1	500
K0408.03001311	orange RAL 2004	26	10	33	22	3	3	1	03,0	1	500
K0408.03001321	orange RAL 2004	26	10	33	22	3	3	2	03,0	1	500
K0408.03001411	orange RAL 2004	26	10	33	22	3	4	1	03,0	1	500
K0408.03001421	orange RAL 2004	26	10	33	22	3	4	2	03,0	1	500
K0408.04001111	orange RAL 2004	26	10	33	22	4	1	1	04,0	1	375
K0408.04001121	orange RAL 2004	26	10	33	22	4	1	2	04,0	1	375
K0408.04001211	orange RAL 2004	26	10	33	22	4	2	1	04,0	1	375
K0408.04001221	orange RAL 2004	26	10	33	22	4	2	2	04,0	1	375
K0408.04001311	orange RAL 2004	26	10	33	22	4	3	1	04,0	1	375
K0408.04001321	orange RAL 2004	26	10	33	22	4	3	2	04,0	1	375
K0408.04001411	orange RAL 2004	26	10	33	22	4	4	1	04,0	1	375
K0408.04001421	orange RAL 2004	26	10	33	22	4	4	2	04,0	1	375
K0408.05001111	orange RAL 2004	26	10	33	22	5	1	1	05,0	1	300
K0408.05001121	orange RAL 2004	26	10	33	22	5	1	2	05,0	1	300
K0408.05001211	orange RAL 2004	26	10	33	22	5	2	1	05,0	1	300
K0408.05001221	orange RAL 2004	26	10	33	22	5	2	2	05,0	1	300
K0408.05001311	orange RAL 2004	26	10	33	22	5	3	1	05,0	1	300
K0408.05001321	orange RAL 2004	26	10	33	22	5	3	2	05,0	1	300
K0408.05001411	orange RAL 2004	26	10	33	22	5	4	1	05,0	1	300
K0408.05001421	orange RAL 2004	26	10	33	22	5	4	2	05,0	1	300
K0408.06001111	orange RAL 2004	26	10	33	22	6	1	1	06,0	1	250
K0408.06001121	orange RAL 2004	26	10	33	22	6	1	2	06,0	1	250
K0408.06001211	orange RAL 2004	26	10	33	22	6	2	1	06,0	1	250
K0408.06001221	orange RAL 2004	26	10	33	22	6	2	2	06,0	1	250
K0408.06001311	orange RAL 2004	26	10	33	22	6	3	1	06,0	1	250
K0408.06001321	orange RAL 2004	26	10	33	22	6	3	2	06,0	1	250
K0408.06001411	orange RAL 2004	26	10	33	22	6	4	1	06,0	1	250
K0408.06001421	orange RAL 2004	26	10	33	22	6	4	2	06,0	1	250
K0408.08001111	orange RAL 2004	26	10	33	22	8	1	1	08,0	1	180
K0408.08001121	orange RAL 2004	26	10	33	22	8	1	2	08,0	1	180
K0408.08001211	orange RAL 2004	26	10	33	22	8	2	1	08,0	1	180
K0408.08001221	orange RAL 2004	26	10	33	22	8	2	2	08,0	1	180
K0408.08001311	orange RAL 2004	26	10	33	22	8	3	1	08,0	1	180

Position indicators

Overview of items

Order No.	Main colour	B	D	H	L	Pitch	Assembly position	Count direction	Indicator after one rotation	Decimal point in position	max. rpm
K0408.08001321	orange RAL 2004	26	10	33	22	8	3	2	08,0	1	180
K0408.08001411	orange RAL 2004	26	10	33	22	8	4	1	08,0	1	180
K0408.08001421	orange RAL 2004	26	10	33	22	8	4	2	08,0	1	180
K0408.10001111	orange RAL 2004	26	10	33	22	10	1	1	10,0	1	150
K0408.10001121	orange RAL 2004	26	10	33	22	10	1	2	10,0	1	150
K0408.10001211	orange RAL 2004	26	10	33	22	10	2	1	10,0	1	150
K0408.10001221	orange RAL 2004	26	10	33	22	10	2	2	10,0	1	150
K0408.10001311	orange RAL 2004	26	10	33	22	10	3	1	10,0	1	150
K0408.10001321	orange RAL 2004	26	10	33	22	10	3	2	10,0	1	150
K0408.10001411	orange RAL 2004	26	10	33	22	10	4	1	10,0	1	150
K0408.10001421	orange RAL 2004	26	10	33	22	10	4	2	10,0	1	150
K0408.01001112	black	26	10	33	22	1	1	1	01,0	1	500
K0408.01001122	black	26	10	33	22	1	1	2	01,0	1	500
K0408.01001212	black	26	10	33	22	1	2	1	01,0	1	500
K0408.01001222	black	26	10	33	22	1	2	2	01,0	1	500
K0408.01001312	black	26	10	33	22	1	3	1	01,0	1	500
K0408.01001322	black	26	10	33	22	1	3	2	01,0	1	500
K0408.01001412	black	26	10	33	22	1	4	1	01,0	1	500
K0408.01001422	black	26	10	33	22	1	4	2	01,0	1	500
K0408.02001112	black	26	10	33	22	2	1	1	02,0	1	500
K0408.02001122	black	26	10	33	22	2	1	2	02,0	1	500
K0408.02001212	black	26	10	33	22	2	2	1	02,0	1	500
K0408.02001222	black	26	10	33	22	2	2	2	02,0	1	500
K0408.02001312	black	26	10	33	22	2	3	1	02,0	1	500
K0408.02001322	black	26	10	33	22	2	3	2	02,0	1	500
K0408.02001412	black	26	10	33	22	2	4	1	02,0	1	500
K0408.02001422	black	26	10	33	22	2	4	2	02,0	1	500
K0408.02501112	black	26	10	33	22	2,5	1	1	02,5	1	500
K0408.02501122	black	26	10	33	22	2,5	1	2	02,5	1	500
K0408.02501212	black	26	10	33	22	2,5	2	1	02,5	1	500
K0408.02501222	black	26	10	33	22	2,5	2	2	02,5	1	500
K0408.02501312	black	26	10	33	22	2,5	3	1	02,5	1	500
K0408.02501322	black	26	10	33	22	2,5	3	2	02,5	1	500
K0408.02501412	black	26	10	33	22	2,5	4	1	02,5	1	500
K0408.02501422	black	26	10	33	22	2,5	4	2	02,5	1	500
K0408.03001112	black	26	10	33	22	3	1	1	03,0	1	500
K0408.03001122	black	26	10	33	22	3	1	2	03,0	1	500
K0408.03001212	black	26	10	33	22	3	2	1	03,0	1	500
K0408.03001222	black	26	10	33	22	3	2	2	03,0	1	500
K0408.03001312	black	26	10	33	22	3	3	1	03,0	1	500
K0408.03001322	black	26	10	33	22	3	3	2	03,0	1	500
K0408.03001412	black	26	10	33	22	3	4	1	03,0	1	500
K0408.03001422	black	26	10	33	22	3	4	2	03,0	1	500
K0408.04001112	black	26	10	33	22	4	1	1	04,0	1	375
K0408.04001122	black	26	10	33	22	4	1	2	04,0	1	375
K0408.04001212	black	26	10	33	22	4	2	1	04,0	1	375
K0408.04001222	black	26	10	33	22	4	2	2	04,0	1	375
K0408.04001312	black	26	10	33	22	4	3	1	04,0	1	375
K0408.04001322	black	26	10	33	22	4	3	2	04,0	1	375
K0408.04001412	black	26	10	33	22	4	4	1	04,0	1	375
K0408.04001422	black	26	10	33	22	4	4	2	04,0	1	375
K0408.05001112	black	26	10	33	22	5	1	1	05,0	1	300
K0408.05001122	black	26	10	33	22	5	1	2	05,0	1	300
K0408.05001212	black	26	10	33	22	5	2	1	05,0	1	300
K0408.05001222	black	26	10	33	22	5	2	2	05,0	1	300
K0408.05001312	black	26	10	33	22	5	3	1	05,0	1	300
K0408.05001322	black	26	10	33	22	5	3	2	05,0	1	300
K0408.05001412	black	26	10	33	22	5	4	1	05,0	1	300
K0408.05001422	black	26	10	33	22	5	4	2	05,0	1	300
K0408.06001112	black	26	10	33	22	6	1	1	06,0	1	250
K0408.06001122	black	26	10	33	22	6	1	2	06,0	1	250

Position indicators

Overview of items

Order No.	Main colour	B	D	H	L	Pitch	Assembly position	Count direction	Indicator after one rotation	Decimal point in position	max. rpm
K0408.06001212	black	26	10	33	22	6	2	1	06,0	1	250
K0408.06001222	black	26	10	33	22	6	2	2	06,0	1	250
K0408.06001312	black	26	10	33	22	6	3	1	06,0	1	250
K0408.06001322	black	26	10	33	22	6	3	2	06,0	1	250
K0408.06001412	black	26	10	33	22	6	4	1	06,0	1	250
K0408.06001422	black	26	10	33	22	6	4	2	06,0	1	250
K0408.08001112	black	26	10	33	22	8	1	1	08,0	1	180
K0408.08001122	black	26	10	33	22	8	1	2	08,0	1	180
K0408.08001212	black	26	10	33	22	8	2	1	08,0	1	180
K0408.08001222	black	26	10	33	22	8	2	2	08,0	1	180
K0408.08001312	black	26	10	33	22	8	3	1	08,0	1	180
K0408.08001322	black	26	10	33	22	8	3	2	08,0	1	180
K0408.08001412	black	26	10	33	22	8	4	1	08,0	1	180
K0408.08001422	black	26	10	33	22	8	4	2	08,0	1	180
K0408.10001112	black	26	10	33	22	10	1	1	10,0	1	150
K0408.10001122	black	26	10	33	22	10	1	2	10,0	1	150
K0408.10001212	black	26	10	33	22	10	2	1	10,0	1	150
K0408.10001222	black	26	10	33	22	10	2	2	10,0	1	150
K0408.10001312	black	26	10	33	22	10	3	1	10,0	1	150
K0408.10001322	black	26	10	33	22	10	3	2	10,0	1	150
K0408.10001412	black	26	10	33	22	10	4	1	10,0	1	150
K0408.10001422	black	26	10	33	22	10	4	2	10,0	1	150