

## Swivel feet

### Item description/product images



### Description

#### Material:

Form A,G: Foot high carbon steel, ball element free-cutting steel.

Form B: All stainless steel

Form C: Foot POM, ball element free-cutting steel.

Form D: Foot POM, ball element stainless steel.

Anti-slip plate thermoplastic elastomer.

#### Version:

Form A: Ball element case-hardened and black oxidised.

Form B: Bright.

Form C: Ball element case-hardened and black oxidised.

Form D: Ball element bright.

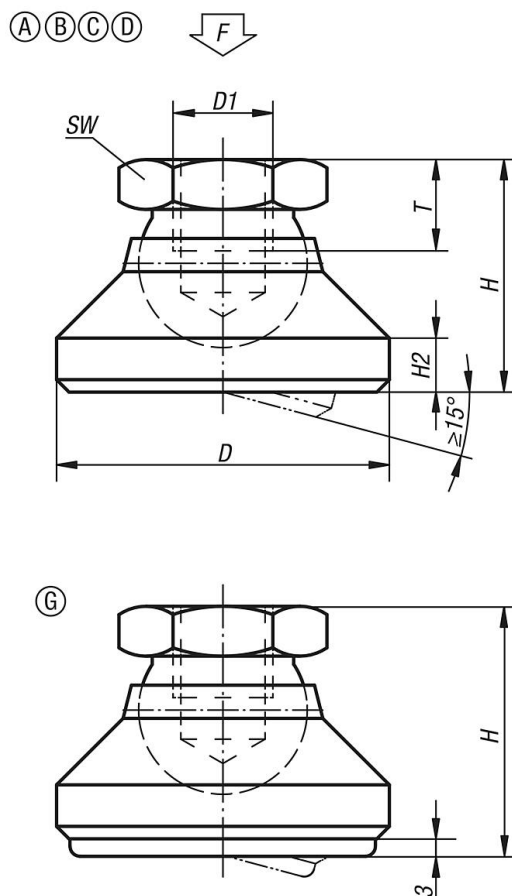
Form G: Ball element case hardened and black oxidised, foot with anti-slip plate.

#### Note:

The anti-slip plate absorbs vibrations and prevents the swivel foot slipping

The loading indicated in the table is a recommendation up to which permanent static load the swivel foot can be used.

### Drawings



## Swivel feet

### Overview of items

#### Swivel feet

Order No.	Form	D	D1	H	H2	T	SW	Load rating max. kN
K0395.106	A	20	M6	15	2,5	8,5	10	10
K0395.108	A	25	M8	18	4	9	13	18
K0395.110	A	32	M10	22	5	10	17	20
K0395.112	A	40	M12	26	6	12	19	35
K0395.116	A	50	M16	32	7	14	24	45
K0395.120	A	60	M20	42	8	18	30	55
K0395.306	B	20	M6	15	2,5	8,5	10	10
K0395.308	B	25	M8	18	4	9	13	18
K0395.310	B	32	M10	22	5	10	17	20
K0395.312	B	40	M12	26	6	12	19	35
K0395.316	B	50	M16	32	7	14	24	45
K0395.320	B	60	M20	42	8	18	30	55
K0395.506	C	20	M6	15	2,5	8,5	10	4
K0395.508	C	25	M8	18	4	9	13	7
K0395.510	C	32	M10	22	5	10	17	10
K0395.512	C	40	M12	26	6	12	19	18
K0395.516	C	50	M16	32	7	14	24	20
K0395.520	C	60	M20	42	8	18	30	22
K0395.206	D	20	M6	15	2,5	8,5	10	4
K0395.208	D	25	M8	18	4	9	13	7
K0395.210	D	32	M10	22	5	10	17	10
K0395.212	D	40	M12	26	6	12	19	18
K0395.216	D	50	M16	32	7	14	24	20
K0395.220	D	60	M20	42	8	18	30	22
K0395.410	G	32	M10	25	5	10	17	12
K0395.412	G	40	M12	29	6	12	19	17
K0395.416	G	50	M16	35	7	14	24	20
K0395.420	G	60	M20	45	8	18	30	24