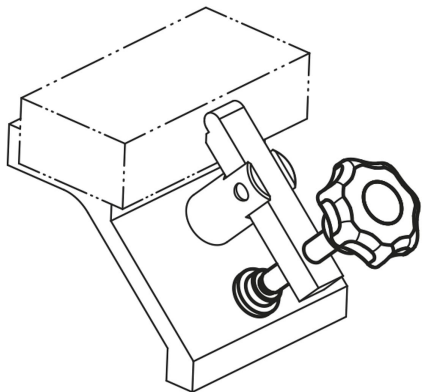
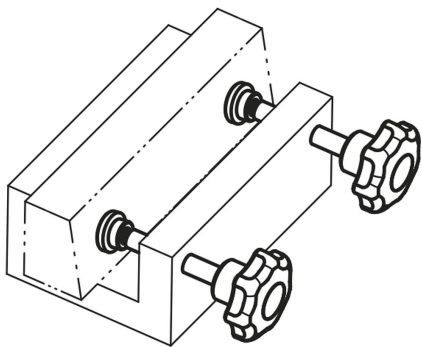


Thrust spindles

Item description/product images



Description

Material:

Star grip: thermoplastic.

Bush: steel.

Grub screw: steel, grade 5.8.

Thrust pad: plastic PA 6.

Version:

Star grip, thrust pad black.

Bush trivalent blue passivated.

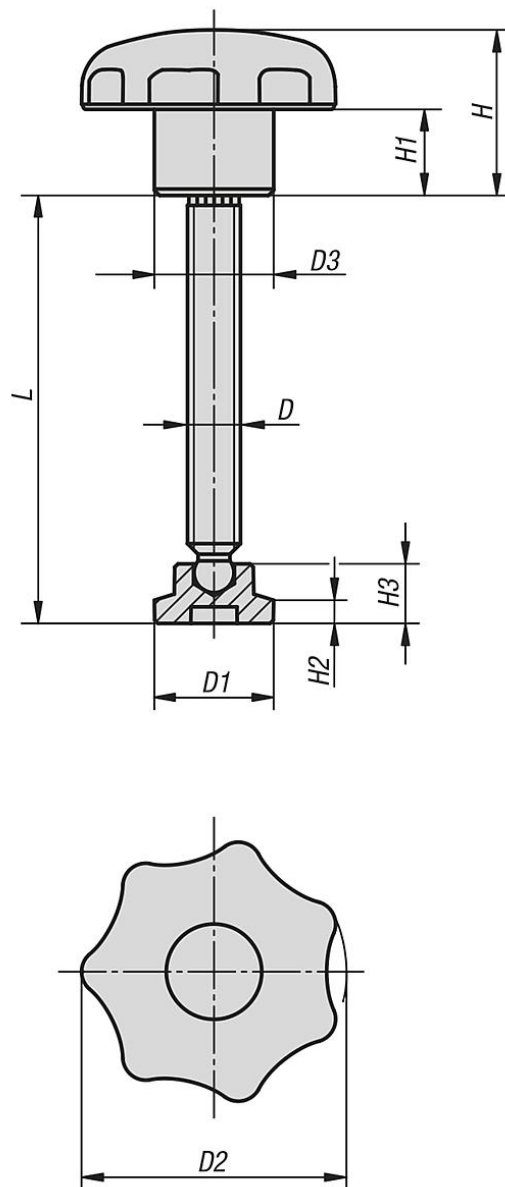
Grub screw black oxidised.

Note:

The thrust pad is supplied loose. It can be lightly pressed onto the end of the spindle.

Thrust spindles

Drawings



Overview of items

Thrust spindles

Order No.	D	D1	D2	D3	L	H	H1	H2	H3
K0394.06053	M6	15	32	14	53,8	20	10	2,5	7,6
K0394.08064	M8	18	40	18	64,6	25	13	3,5	9
K0394.10070	M10	21	50	22	70,1	32	17	4	11
K0394.12086	M12	25	63	26	86	40	21	5	13

