

Knurled screws

Item description/product images



Description

Product description:

Due to their extremely flat design, these grips can be used in very cramped spaces. The fluting around the edge improves gripping.

Material, version:

Grip black hard thermoplastic.
Coating black soft thermoplastic.
Tapped bush brass.
Screw electro zinc-plated steel grade 5.8.

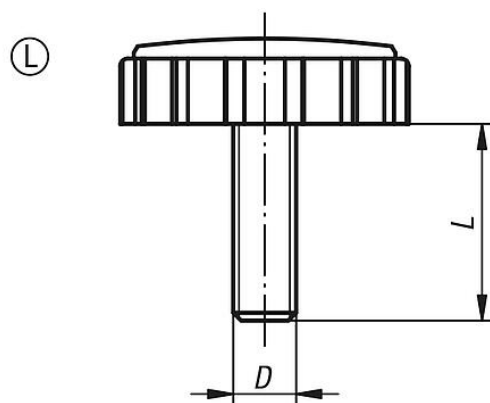
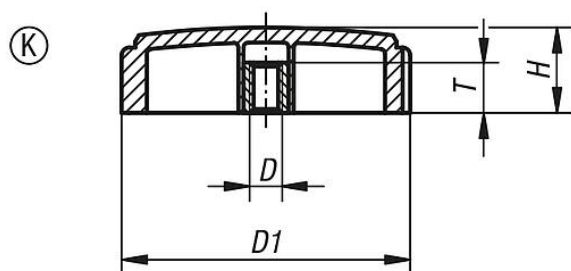
Note:

SYMPA TOUCH Knurled screws are available in one grip size with internal and external threads.

On request:

Other screw sizes, screw lengths, versions and colours.

Drawings



Overview of items

Knurled screw with internal thread

Order No.	Form	Thread type	D	D1	H	T	L
K0281.5705	K	internal thread	M5	57,4	17	12,5	-
K0281.5706	K	internal thread	M6	57,4	17	12,5	-
K0281.5708	K	internal thread	M8	57,4	17	12,5	-
K0281.5710	K	internal thread	M10	57,4	17	12,5	-
K0281.5706X15	L	external thread	M6	57,4	17	-	15
K0281.5706X20	L	external thread	M6	57,4	17	-	20
K0281.5706X25	L	external thread	M6	57,4	17	-	25
K0281.5706X35	L	external thread	M6	57,4	17	-	35
K0281.5708X16	L	external thread	M8	57,4	17	-	16
K0281.5708X25	L	external thread	M8	57,4	17	-	25
K0281.5708X30	L	external thread	M8	57,4	17	-	30
K0281.5708X35	L	external thread	M8	57,4	17	-	35
K0281.5710X30	L	external thread	M10	57,4	17	-	30
K0281.5710X40	L	external thread	M10	57,4	17	-	40
K0281.5710X50	L	external thread	M10	57,4	17	-	50

