

## Taper grips

### Item description/product images

---



### Description

**Material:**

Thermoset PF 31, black.  
Steel bush and stud, electro zinc-plated.

**Version:**

High-gloss polished.

**Note:**

The versions K0172.205 and K0172.206 have a brass bush.  
The versions K0172.208 and K0172.2081 have a copper-plated steel bush.

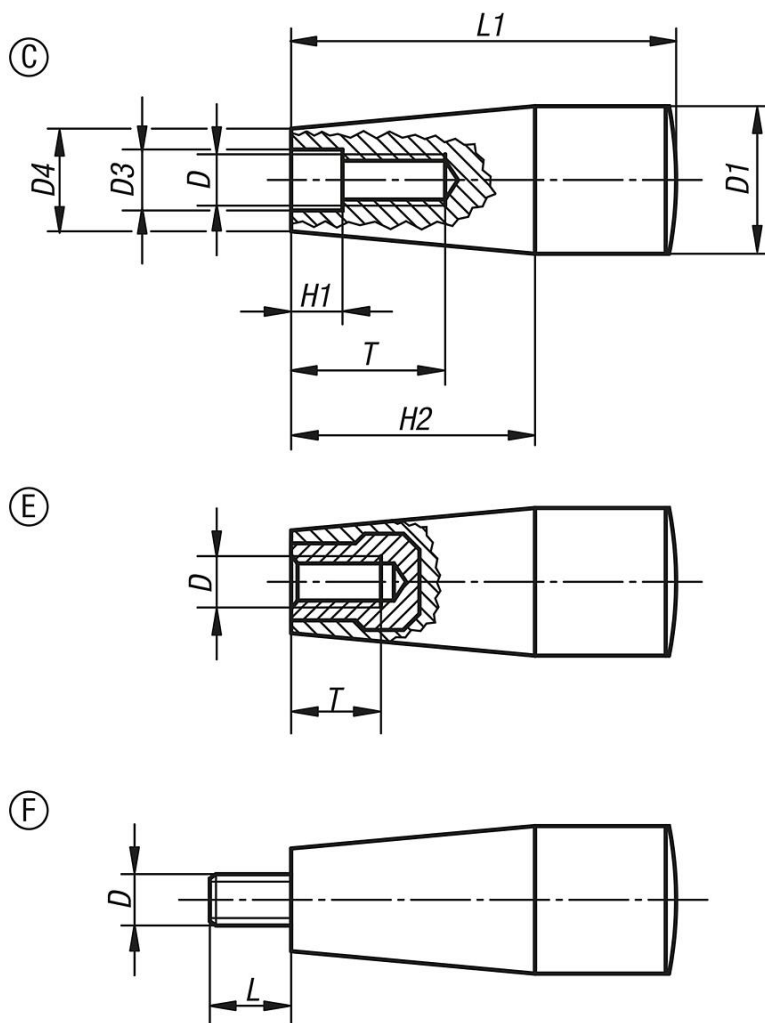
**On request:**

Other colours.

**Drawing reference:**

Form C: moulded internal thread  
Form E: tapped bush  
Form F: external thread

Drawings



Overview of items

Taper grips

Order No.	Thread type	Form	D	D1	D3	D4	H1	H2	L	L1	T
K0172.106	internal thread	C	M6	17	6,2	15	2	26	-	45	14
K0172.108	internal thread	C	M8	17	8,2	13	2	26	-	45	16
K0172.1081	internal thread	C	M8	23	8,5	18	2	38	-	61	24
K0172.110	internal thread	C	M10	29	10,5	21	3,5	42	-	71	28
K0172.205	internal thread	E	M5	17	-	15	-	26	-	45	10
K0172.206	internal thread	E	M6	17	-	15	-	26	-	45	9
K0172.208	internal thread	E	M8	23	-	18	-	38	-	61	14
K0172.2081	internal thread	E	M8	28	-	21	-	42	-	71	14
K0172.306	external thread	F	M6	17	-	15	-	26	18	45	-
K0172.308	external thread	F	M8	23	-	18	-	38	12	61	-
K0172.310	external thread	F	M10	29	-	21	-	42	20	71	-

