

# Handwheels disc with revolving grip

## Item description/product images



### Description

**Material:**

Thermoset PF 31, black.

Hubs and steel parts of grip nickel-plated steel or bright 1.4305 stainless steel.

**Version:**

High-gloss polished.

**Note:**

The handwheel is supplied with the grip loose.

**On request:**

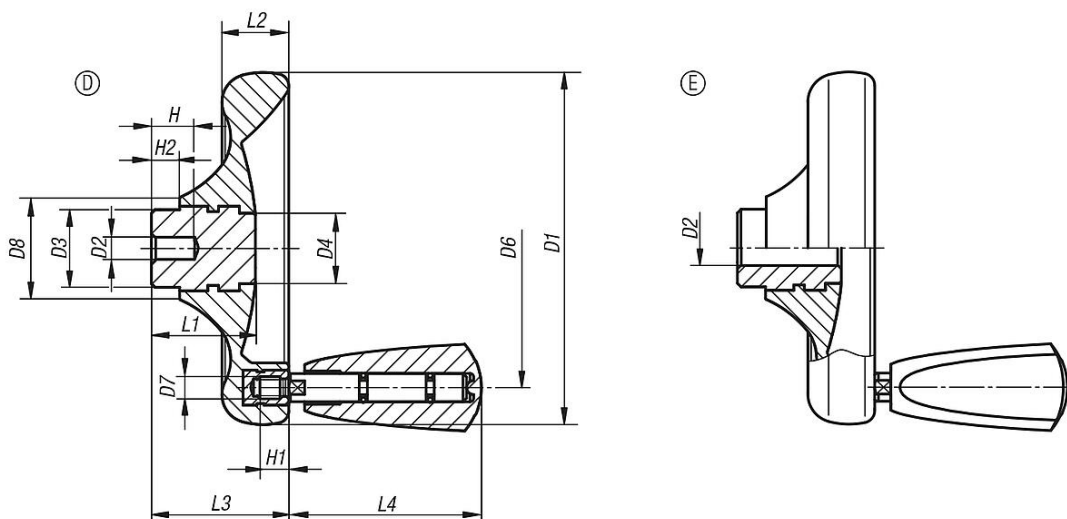
Other reamed hole sizes.

**Drawing reference:**

Form D: pilot hole

Form E: reamed hole

## Drawings



## Overview of items

### Handwheels disc, with revolving grip

Order No.	Form	Form definition	Steel parts material	D1	D2	D3	D4	D6	D7	D8	H	H1	H2	L1	L2	L3	L4
K0164.0100X06	D	pre-drilled	steel	100	6	22	20	79	M6	29	12	9	8	29,5	19	39	54,7
K0164.0125X08	D	pre-drilled	steel	125	8	26	21	101	M6	34	15	9	8	34	24	46	54,7
K0164.0140X08	D	pre-drilled	steel	140	8	30	25	110	M8	39	16	12	8	38,5	27	52	82,2
K0164.0160X10	D	pre-drilled	steel	160	10	33	30	128	M8	43	20	12	8	41,3	30,1	57	82,2
K0164.1100X10	E	with reamed hole	steel	100	10H8	22	20	79	M6	29	-	9	8	29,5	19	39	54,7
K0164.1125X12	E	with reamed hole	steel	125	12H8	26	21	101	M6	34	-	9	8	34	24	46	54,7
K0164.1140X14	E	with reamed hole	steel	140	14H8	30	25	110	M8	39	-	12	8	38,5	27	52	82,2
K0164.1160X16	E	with reamed hole	steel	160	16H8	33	30	128	M8	43	-	12	8	41,3	30,1	57	82,2
K0164.1160X18	E	with reamed hole	steel	160	18H8	33	30	128	M8	43	-	12	8	41,3	30,1	57	82,2
K0164.2100X06	D	pre-drilled	stainless steel 1.4305	100	6	22	20	79	M6	29	12	9	8	29,5	19	39	54,7
K0164.2125X08	D	pre-drilled	stainless steel 1.4305	125	8	26	21	101	M6	34	15	9	8	34	24	46	54,7
K0164.2140X08	D	pre-drilled	stainless steel 1.4305	140	8	30	25	110	M8	39	16	12	8	38,5	27	52	82,2

## Handwheels disc with revolving grip

### Overview of items

Order No.	Form	Form definition	Steel parts material	D1	D2	D3	D4	D6	D7	D8	H	H1	H2	L1	L2	L3	L4
<b>K0164.2160X10</b>	D	pre-drilled	stainless steel 1.4305	160	10	33	30	128	M8	43	20	12	8	41,3	30,1	57	82,2
<b>K0164.3100X10</b>	E	with reamed hole	stainless steel 1.4305	100	10H7	22	20	79	M6	29	-	9	8	29,5	19	39	54,7
<b>K0164.3125X12</b>	E	with reamed hole	stainless steel 1.4305	125	12H7	26	21	101	M6	34	-	9	8	34	24	46	54,7
<b>K0164.3140X14</b>	E	with reamed hole	stainless steel 1.4305	140	14H7	30	25	110	M8	39	-	12	8	38,5	27	52	82,2
<b>K0164.3160X16</b>	E	with reamed hole	stainless steel 1.4305	160	16H7	33	30	128	M8	43	-	12	8	41,3	30,1	57	82,2
<b>K0164.3160X18</b>	E	with reamed hole	stainless steel 1.4305	160	18H7	33	30	128	M8	43	-	12	8	41,3	30,1	57	82,2