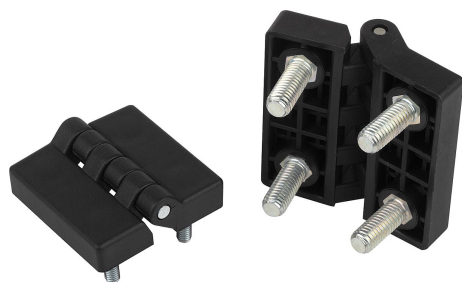


## Hinges plastic with fastening screws

### Item description/product images



### Description

#### Material:

Fibreglass reinforced thermoplastic.  
Hinge pin steel.

#### Version:

Hinge black.  
Hinge pin electro zinc-plated.

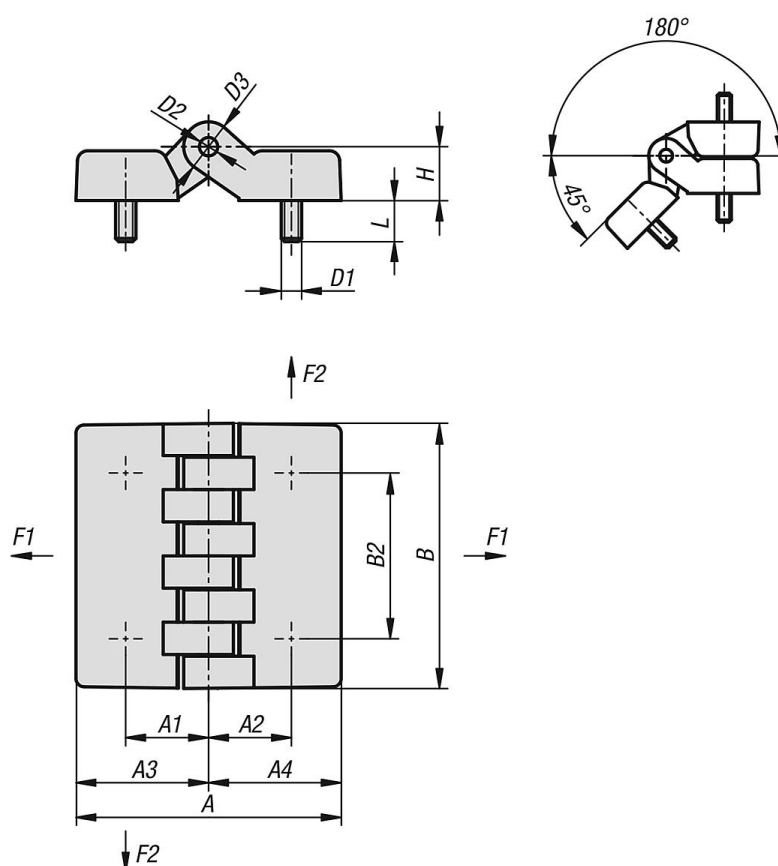
#### Note:

The loading values given for the hinges are non-binding reference values without consideration of safety factors and exclude any liability. The values given are for information purposes only and do not constitute a legally binding assurance of properties.

The load values have been determined under laboratory conditions. Each user must determine individually whether the hinge is suitable for the respective application.

Different materials onto which the hinges are installed and the type of mounting, weather conditions and wear can influence the determined values.

### Drawings



### Overview of items

## Hinges plastic with fastening screws

### Overview of items

#### Hinges, plastic, with fastening screws

Order No.	A	A1	A2	A3	A4	B	B2	D1	D2	D3	H	L	F1 N	F2 N
K1006.05241515	48	15	15	24	24	48	30	M5	5	10	10,5	15	1780	1370
K1006.06241515	48	15	15	24	24	48	30	M6	5	10	10,5	15	1780	1370
K1006.06322020	64	20	20	32	32	64	40	M6	5	12	13	20	4120	1760
K1006.08322020	64	20	20	32	32	64	40	M8	5	12	13	20	4120	1760
K1006.08483232	95	31,5	31,5	47,5	47,5	95	60	M8	8	18	19	20	4900	1275
K1006.10483232	95	31,5	31,5	47,5	47,5	95	60	M10	8	18	19	20	4900	1275