

Star grips aluminium, similar to DIN 6336

Item description/product images



Description

Material:

Aluminium.

Grub screw stainless steel 1.4305.

Pin stainless steel 1.4310.

Version:

Vibratory ground or ground and polished.

Grub screw and pin bright.

On request:

Blank star grips (not tumbled).

Drawing reference:

Form A: blank

Form B: drilled through

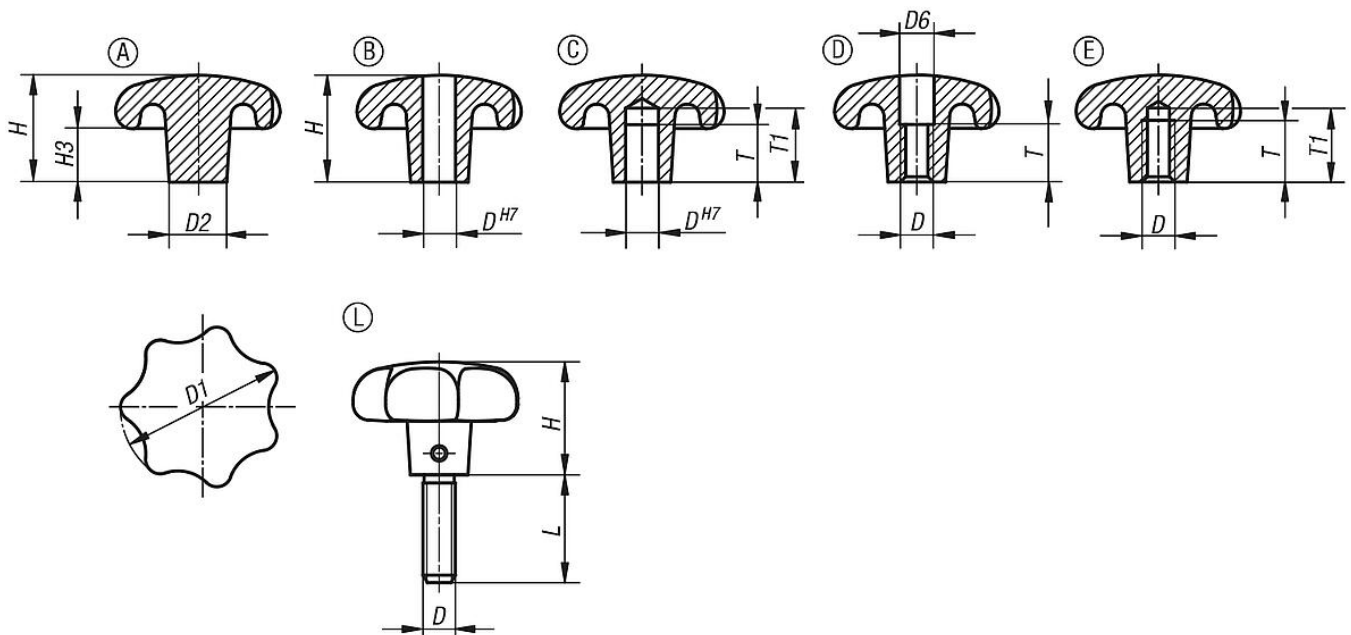
Form C: blind hole

Form D: tapped and counterbored

Form E: tapped blind hole

Form L: external thread

Drawings



Overview of items

Star grips, aluminium, similar to DIN 6336

Order No.	Form	Surface finish body	D	D1	D2	D6	H	H3	L	T	T1
K0149.14008	A	tumbled	-	40	14	-	26	13	-	-	-
K0149.15010	A	tumbled	-	50	18	-	34	17	-	-	-
K0149.16312	A	tumbled	-	63	20	-	42	21	-	-	-
K0149.18016	A	tumbled	-	80	25	-	52	25	-	-	-

Star grips aluminium, similar to DIN 6336

Overview of items

Order No.	Form	Surface finish body	D	D1	D2	D6	H	H3	L	T	T1
K0149.240082	B	polished	8	40	14	-	25	13	-	-	-
K0149.250102	B	polished	10	50	18	-	32	17	-	-	-
K0149.263122	B	polished	12	63	20	-	40	21	-	-	-
K0149.280162	B	polished	16	80	25	-	50	25	-	-	-
K0149.24008	B	tumbled	8	40	14	-	25	13	-	-	-
K0149.25010	B	tumbled	10	50	18	-	32	17	-	-	-
K0149.26312	B	tumbled	12	63	20	-	40	21	-	-	-
K0149.28016	B	tumbled	16	80	25	-	50	25	-	-	-
K0149.340082	C	polished	8	40	14	-	25	13	-	15	18
K0149.350102	C	polished	10	50	18	-	32	17	-	18	21
K0149.363122	C	polished	12	63	20	-	40	21	-	22	25
K0149.380162	C	polished	16	80	25	-	50	25	-	28	32
K0149.34008	C	tumbled	8	40	14	-	25	13	-	15	18
K0149.35010	C	tumbled	10	50	18	-	32	17	-	18	21
K0149.36312	C	tumbled	12	63	20	-	40	21	-	22	25
K0149.38016	C	tumbled	16	80	25	-	50	25	-	28	32
K0149.440082	D	polished	M8	40	14	8,4	25	13	-	12	-
K0149.450102	D	polished	M10	50	18	10,5	32	17	-	16	-
K0149.463122	D	polished	M12	63	20	13	40	21	-	20	-
K0149.480162	D	polished	M16	80	25	17	50	25	-	30	-
K0149.44008	D	tumbled	M8	40	14	8,4	25	13	-	12	-
K0149.45010	D	tumbled	M10	50	18	10,5	32	17	-	16	-
K0149.46312	D	tumbled	M12	63	20	13	40	21	-	20	-
K0149.48016	D	tumbled	M16	80	25	17	50	25	-	30	-
K0149.540082	E	polished	M8	40	14	-	25	13	-	15	18
K0149.550102	E	polished	M10	50	18	-	32	17	-	18	21
K0149.563122	E	polished	M12	63	20	-	40	21	-	22	25
K0149.580162	E	polished	M16	80	25	-	50	25	-	28	32
K0149.54008	E	tumbled	M8	40	14	-	25	13	-	15	18
K0149.55010	E	tumbled	M10	50	18	-	32	17	-	18	21
K0149.56312	E	tumbled	M12	63	20	-	40	21	-	22	25
K0149.58016	E	tumbled	M16	80	25	-	50	25	-	28	32
K0149.64008X20	L	tumbled	M8	40	14	-	25	-	20	-	-
K0149.64008X25	L	tumbled	M8	40	14	-	25	-	25	-	-
K0149.64008X40	L	tumbled	M8	40	14	-	25	-	40	-	-
K0149.64008X30	L	tumbled	M8	40	14	-	25	-	30	-	-
K0149.65010X30	L	tumbled	M10	50	18	-	32	-	30	-	-
K0149.65010X40	L	tumbled	M10	50	18	-	32	-	40	-	-
K0149.65010X25	L	tumbled	M10	50	18	-	32	-	25	-	-
K0149.65010X50	L	tumbled	M10	50	18	-	32	-	50	-	-
K0149.66312X30	L	tumbled	M12	63	20	-	40	-	30	-	-
K0149.66312X40	L	tumbled	M12	63	20	-	40	-	40	-	-
K0149.66312X50	L	tumbled	M12	63	20	-	40	-	50	-	-
K0149.66312X60	L	tumbled	M12	63	20	-	40	-	60	-	-