

Hinges aluminium

Item description/product images



Description

Material:

Die-cast aluminium.
Hinge pin stainless steel.

Version:

Hinge silver powder coated.
Axle bright.

Note:

Hinges for panel elements and aluminium profiles, non lift-off.
The hinges can be fitted with plastic caps on the hinge pin.

The loading values given for the hinges are non-binding reference values without consideration of safety factors and exclude any liability. The values given are for information purposes only and do not constitute a legally binding assurance of properties.

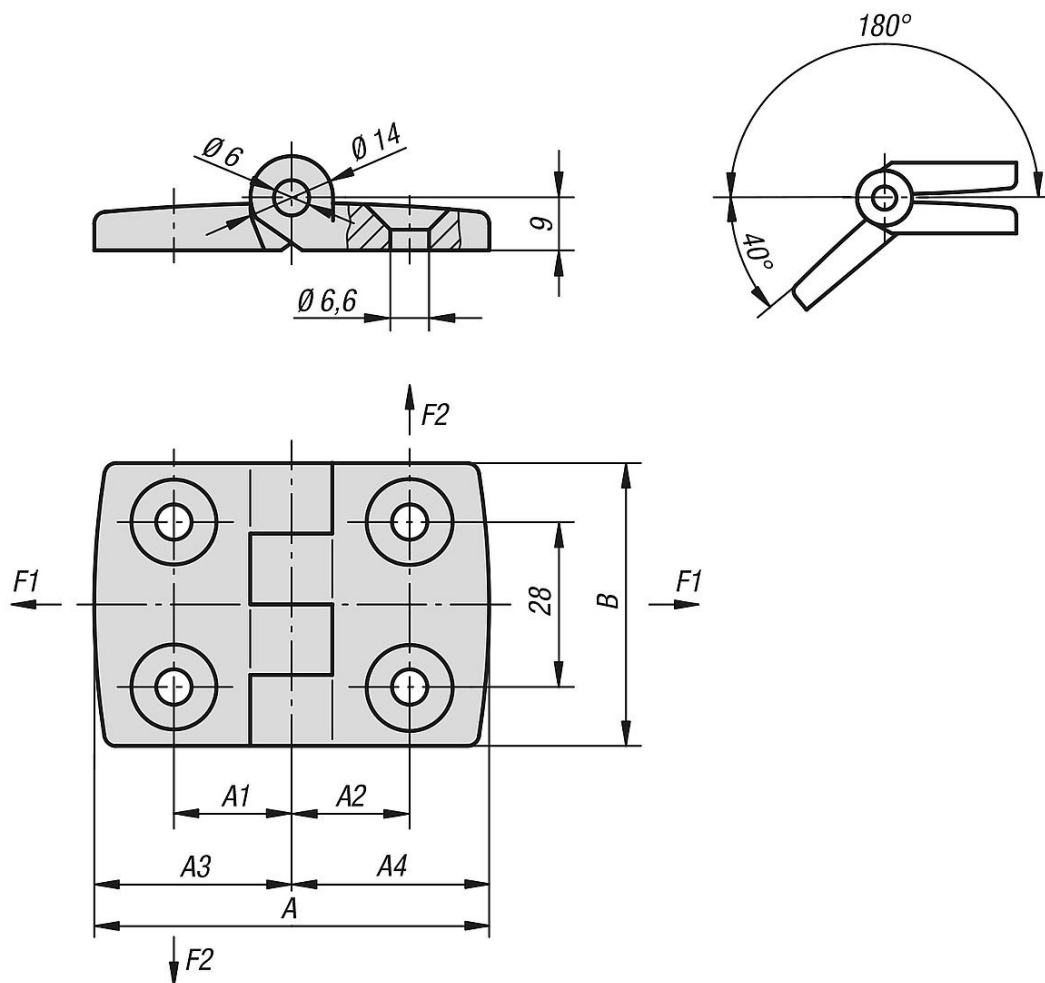
The load values have been determined under laboratory conditions. Each user must determine individually whether the hinge is suitable for the respective application.

Different materials onto which the hinges are installed and the type of mounting, weather conditions and wear can influence the determined values.

On request:

Hinges with guide tabs for aluminium profiles (slots 5, 6, 8, 10, 12 and 14).
Unequal leaf combinations.

Drawings



Overview of items

Hinges aluminium

Order No.	A	A1	A2	A3	A4	B	F1 N	F2 N
K0580.251515	52	15	15	26	26	48	275	215
K0580.301818	59	17,5	17,5	29,5	29,5	48	325	225
K0580.352020	72	20	20	36	36	48	325	225
K0580.402323	77	22,5	22,5	38,5	38,5	48	400	250
K0580.452525	87	25	25	43,5	43,5	48	400	250
K0580.502828	97	27,5	27,5	48,5	48,5	48	400	250
K0580.603333	115	32,5	32,5	57,5	57,5	48	400	100