

Magnets shallow pot SmCo

Item description/product images



Description

Material:

Housing, steel.
Magnetic core, SmCo.

Version:

Housing, electro zinc-plated.

Note:

Shallow pot magnets, shielded system. Magnets with an SmCo core have three to five times the attracting force of AlNiCo or hard ferrite magnets.

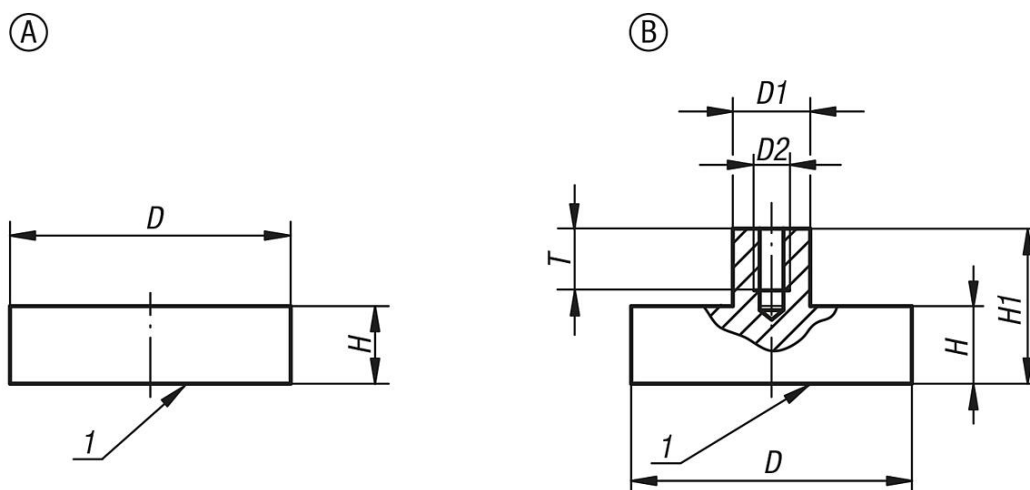
Temperature range:

max. 200°C.

Drawing reference:

1) magnetic face

Drawings



Overview of items

Magnets shallow pot SmCo

Order No. Form A	Order No. Form B	D	D1	D2	H	H1	T	Magnetic force N
K0550.01	K0550.11	6 ±0,15	-6	-M3	4,5	-/11,5	-/6	5
K0550.02	K0550.12	8 ±0,15	-6	-M3	4,5	-/11,5	-/6	11
K0550.03	K0550.13	10 ±0,15	-6	-M3	4,5	-/11,5	-/6	20
K0550.04	K0550.14	13 ±0,15	-6	-M3	4,5	-/11,5	-/6	40
K0550.05	K0550.15	16 ±0,15	-6	-M4	4,5	-/11,5	-/6	60
K0550.06	K0550.16	20 ±0,15	-8	-M4	6	-/13	-/7,5	90
K0550.07	K0550.17	25 ±0,15	-8	-M4	7	-/14	-/7,5	150
K0550.08	K0550.18	32 ±0,20	-10	-M5	7	-/15,5	-/8,5	220

