

## Dust caps

### Item description/product images



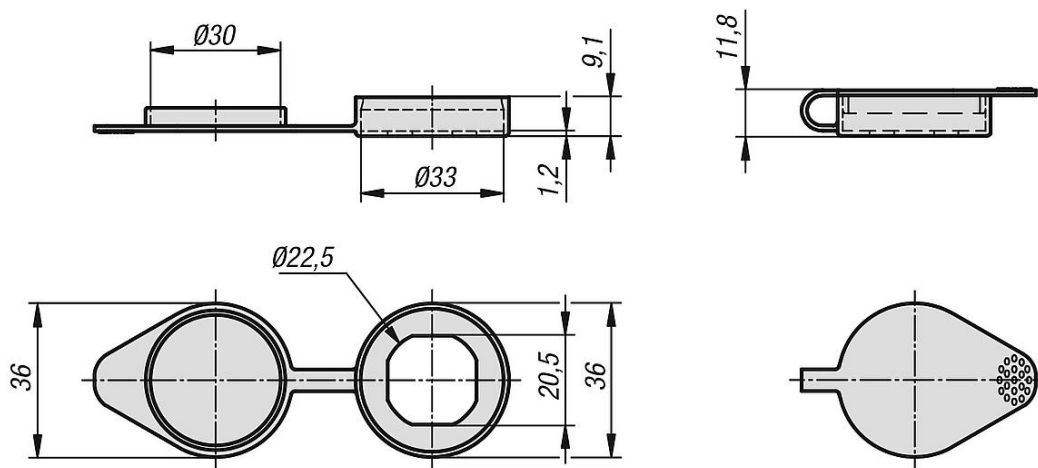
### Description

**Material:**  
Thermoplastic plastic (PU).

**Version:**  
Black.

**Note:**  
Dust caps for compression latches with a head diameter up to max. 32 mm. It offers increased protection from dust and moisture. If the dust cap is used, dimension "A" of the compression latch is reduced by 1 mm.

### Drawings



### Overview of items