

## Handles

### Item description/product images



### Description

#### Material:

Knobs thermoset PF 31.

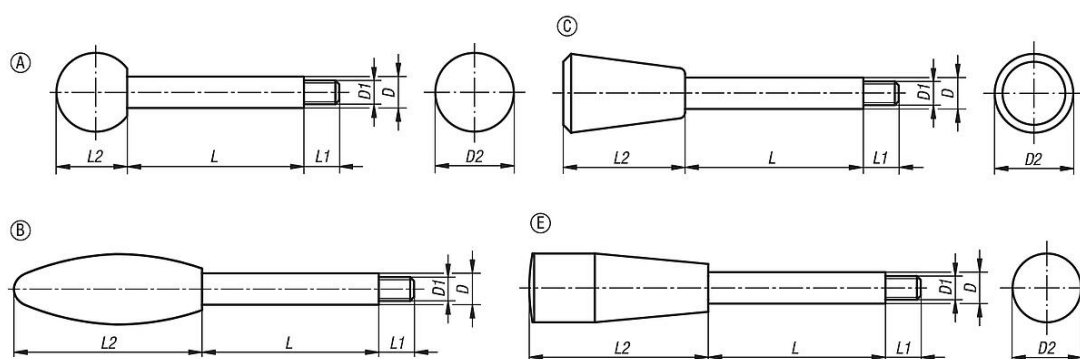
Rod steel or stainless steel 1.4305.

#### Version:

Thermoset black, high-gloss polished.

Steel black oxidised, blue passivated or bright stainless steel

### Drawings



### Overview of items

#### Handles

Order No.	Main material	Surface finish body	Form	D	D1	D2	L	L1	L2
K0179.208X35	steel	black oxidised	A	8	M6	20	35	9	18
K0179.208X50	steel	black oxidised	A	8	M6	20	50	9	18
K0179.208X65	steel	black oxidised	A	8	M6	20	65	9	18
K0179.210X50	steel	black oxidised	A	10	M8	25	50	13	23
K0179.210X65	steel	black oxidised	A	10	M8	25	65	13	23
K0179.210X80	steel	black oxidised	A	10	M8	25	80	13	23
K0179.210X100	steel	black oxidised	A	10	M8	25	100	13	23
K0179.212X65	steel	black oxidised	A	12	M10	32	65	15	29
K0179.212X80	steel	black oxidised	A	12	M10	32	80	15	29
K0179.212X100	steel	black oxidised	A	12	M10	32	100	15	29
K0179.212X125	steel	black oxidised	A	12	M10	32	125	15	29
K0179.214X80	steel	black oxidised	A	14	M12	36	80	16	33
K0179.214X100	steel	black oxidised	A	14	M12	36	100	16	33
K0179.214X125	steel	black oxidised	A	14	M12	36	125	16	33
K0179.214X160	steel	black oxidised	A	14	M12	36	160	16	33
K0179.2208X35	steel	blue-passivated	A	8	M6	20	35	9	18
K0179.2208X50	steel	blue-passivated	A	8	M6	20	50	9	18

## Handles

## Overview of items

Order No.	Main material	Surface finish body	Form	D	D1	D2	L	L1	L2
K0179.2208X65	steel	blue-passivated	A	8	M6	20	65	9	18
K0179.2210X50	steel	blue-passivated	A	10	M8	25	50	13	23
K0179.2210X65	steel	blue-passivated	A	10	M8	25	65	13	23
K0179.2210X80	steel	blue-passivated	A	10	M8	25	80	13	23
K0179.2210X100	steel	blue-passivated	A	10	M8	25	100	13	23
K0179.2212X65	steel	blue-passivated	A	12	M10	32	65	15	29
K0179.2212X80	steel	blue-passivated	A	12	M10	32	80	15	29
K0179.2212X100	steel	blue-passivated	A	12	M10	32	100	15	29
K0179.2212X125	steel	blue-passivated	A	12	M10	32	125	15	29
K0179.2214X80	steel	blue-passivated	A	14	M12	36	80	16	33
K0179.2214X100	steel	blue-passivated	A	14	M12	36	100	16	33
K0179.2214X125	steel	blue-passivated	A	14	M12	36	125	16	33
K0179.2214X160	steel	blue-passivated	A	14	M12	36	160	16	33
K0179.1208X35	stainless steel	bright	A	8	M6	20	35	9	18
K0179.1208X50	stainless steel	bright	A	8	M6	20	50	9	18
K0179.1208X65	stainless steel	bright	A	8	M6	20	65	9	18
K0179.1210X50	stainless steel	bright	A	10	M8	25	50	13	23
K0179.1210X65	stainless steel	bright	A	10	M8	25	65	13	23
K0179.1210X80	stainless steel	bright	A	10	M8	25	80	13	23
K0179.1210X100	stainless steel	bright	A	10	M8	25	100	13	23
K0179.1212X65	stainless steel	bright	A	12	M10	32	65	15	29
K0179.1212X80	stainless steel	bright	A	12	M10	32	80	15	29
K0179.1212X100	stainless steel	bright	A	12	M10	32	100	15	29
K0179.1212X125	stainless steel	bright	A	12	M10	32	125	15	29
K0179.1214X80	stainless steel	bright	A	14	M12	36	80	16	33
K0179.1214X100	stainless steel	bright	A	14	M12	36	100	16	33
K0179.1214X125	stainless steel	bright	A	14	M12	36	125	16	33
K0179.1214X160	stainless steel	bright	A	14	M12	36	160	16	33
K0179.708X35	steel	black oxidised	B	8	M6	23	35	9	60
K0179.708X50	steel	black oxidised	B	8	M6	23	50	9	60
K0179.708X65	steel	black oxidised	B	8	M6	23	65	9	60
K0179.710X50	steel	black oxidised	B	10	M8	26	50	13	70
K0179.710X65	steel	black oxidised	B	10	M8	26	65	13	70
K0179.710X80	steel	black oxidised	B	10	M8	26	80	13	70
K0179.710X100	steel	black oxidised	B	10	M8	26	100	13	70
K0179.712X65	steel	black oxidised	B	12	M10	35	65	15	85
K0179.712X80	steel	black oxidised	B	12	M10	35	80	15	85
K0179.712X100	steel	black oxidised	B	12	M10	35	100	15	85
K0179.712X125	steel	black oxidised	B	12	M10	35	125	15	85
K0179.714X80	steel	black oxidised	B	14	M12	35	80	16	85
K0179.714X100	steel	black oxidised	B	14	M12	35	100	16	85
K0179.714X125	steel	black oxidised	B	14	M12	35	125	16	85
K0179.714X160	steel	black oxidised	B	14	M12	35	160	16	85
K0179.2708X35	steel	blue-passivated	B	8	M6	23	35	9	60
K0179.2708X50	steel	blue-passivated	B	8	M6	23	50	9	60
K0179.2708X65	steel	blue-passivated	B	8	M6	23	65	9	60
K0179.2710X50	steel	blue-passivated	B	10	M8	26	50	13	70
K0179.2710X65	steel	blue-passivated	B	10	M8	26	65	13	70
K0179.2710X80	steel	blue-passivated	B	10	M8	26	80	13	70
K0179.2710X100	steel	blue-passivated	B	10	M8	26	100	13	70
K0179.2712X65	steel	blue-passivated	B	12	M10	35	65	15	85
K0179.2712X80	steel	blue-passivated	B	12	M10	35	80	15	85
K0179.2712X100	steel	blue-passivated	B	12	M10	35	100	15	85
K0179.2712X125	steel	blue-passivated	B	12	M10	35	125	15	85
K0179.2714X80	steel	blue-passivated	B	14	M12	35	80	16	85
K0179.2714X100	steel	blue-passivated	B	14	M12	35	100	16	85
K0179.2714X125	steel	blue-passivated	B	14	M12	35	125	16	85
K0179.2714X160	steel	blue-passivated	B	14	M12	35	160	16	85
K0179.1708X35	stainless steel	bright	B	8	M6	23	35	9	60
K0179.1708X50	stainless steel	bright	B	8	M6	23	50	9	60
K0179.1708X65	stainless steel	bright	B	8	M6	23	65	9	60
K0179.1710X50	stainless steel	bright	B	10	M8	26	50	13	70

## Handles

## Overview of items

Order No.	Main material	Surface finish body	Form	D	D1	D2	L	L1	L2
K0179.1710X65	stainless steel	bright	B	10	M8	26	65	13	70
K0179.1710X80	stainless steel	bright	B	10	M8	26	80	13	70
K0179.1710X100	stainless steel	bright	B	10	M8	26	100	13	70
K0179.1712X65	stainless steel	bright	B	12	M10	35	65	15	85
K0179.1712X80	stainless steel	bright	B	12	M10	35	80	15	85
K0179.1712X100	stainless steel	bright	B	12	M10	35	100	15	85
K0179.1712X125	stainless steel	bright	B	12	M10	35	125	15	85
K0179.1714X80	stainless steel	bright	B	14	M12	35	80	16	85
K0179.1714X100	stainless steel	bright	B	14	M12	35	100	16	85
K0179.1714X125	stainless steel	bright	B	14	M12	35	125	16	85
K0179.1714X160	stainless steel	bright	B	14	M12	35	160	16	85
K0179.408X35	steel	black oxidised	C	8	M6	20	35	9	31
K0179.408X50	steel	black oxidised	C	8	M6	20	50	9	31
K0179.408X65	steel	black oxidised	C	8	M6	20	65	9	31
K0179.410X50	steel	black oxidised	C	10	M8	25	50	13	38
K0179.410X65	steel	black oxidised	C	10	M8	25	65	13	38
K0179.410X80	steel	black oxidised	C	10	M8	25	80	13	38
K0179.410X100	steel	black oxidised	C	10	M8	25	100	13	38
K0179.412X65	steel	black oxidised	C	12	M10	30	65	15	46
K0179.412X80	steel	black oxidised	C	12	M10	30	80	15	46
K0179.412X100	steel	black oxidised	C	12	M10	30	100	15	46
K0179.412X125	steel	black oxidised	C	12	M10	30	125	15	46
K0179.414X80	steel	black oxidised	C	14	M12	35	80	16	53
K0179.414X100	steel	black oxidised	C	14	M12	35	100	16	53
K0179.414X125	steel	black oxidised	C	14	M12	35	125	16	53
K0179.414X160	steel	black oxidised	C	14	M12	35	160	16	53
K0179.2408X35	steel	blue-passivated	C	8	M6	20	35	9	31
K0179.2408X50	steel	blue-passivated	C	8	M6	20	50	9	31
K0179.2408X65	steel	blue-passivated	C	8	M6	20	65	9	31
K0179.2410X50	steel	blue-passivated	C	10	M8	25	50	13	38
K0179.2410X65	steel	blue-passivated	C	10	M8	25	65	13	38
K0179.2410X80	steel	blue-passivated	C	10	M8	25	80	13	38
K0179.2410X100	steel	blue-passivated	C	10	M8	25	100	13	38
K0179.2412X65	steel	blue-passivated	C	12	M10	30	65	15	46
K0179.2412X80	steel	blue-passivated	C	12	M10	30	80	15	46
K0179.2412X100	steel	blue-passivated	C	12	M10	30	100	15	46
K0179.2412X125	steel	blue-passivated	C	12	M10	30	125	15	46
K0179.2414X80	steel	blue-passivated	C	14	M12	35	80	16	53
K0179.2414X100	steel	blue-passivated	C	14	M12	35	100	16	53
K0179.2414X125	steel	blue-passivated	C	14	M12	35	125	16	53
K0179.2414X160	steel	blue-passivated	C	14	M12	35	160	16	53
K0179.1408X35	stainless steel	bright	C	8	M6	20	35	9	31
K0179.1408X50	stainless steel	bright	C	8	M6	20	50	9	31
K0179.1408X65	stainless steel	bright	C	8	M6	20	65	9	31
K0179.1410X50	stainless steel	bright	C	10	M8	25	50	13	38
K0179.1410X65	stainless steel	bright	C	10	M8	25	65	13	38
K0179.1410X80	stainless steel	bright	C	10	M8	25	80	13	38
K0179.1410X100	stainless steel	bright	C	10	M8	25	100	13	38
K0179.1412X65	stainless steel	bright	C	12	M10	30	65	15	46
K0179.1412X80	stainless steel	bright	C	12	M10	30	80	15	46
K0179.1412X100	stainless steel	bright	C	12	M10	30	100	15	46
K0179.1412X125	stainless steel	bright	C	12	M10	30	125	15	46
K0179.1414X80	stainless steel	bright	C	14	M12	35	80	16	53
K0179.1414X100	stainless steel	bright	C	14	M12	35	100	16	53
K0179.1414X125	stainless steel	bright	C	14	M12	35	125	16	53
K0179.1414X160	stainless steel	bright	C	14	M12	35	160	16	53
K0179.608X35	steel	black oxidised	E	8	M6	17	35	9	45
K0179.608X50	steel	black oxidised	E	8	M6	17	50	9	45
K0179.608X65	steel	black oxidised	E	8	M6	17	65	9	45
K0179.610X50	steel	black oxidised	E	10	M8	23	50	13	61
K0179.610X65	steel	black oxidised	E	10	M8	23	65	13	61
K0179.610X80	steel	black oxidised	E	10	M8	23	80	13	61

## Handles

## Overview of items

Order No.	Main material	Surface finish body	Form	D	D1	D2	L	L1	L2
K0179.610X100	steel	black oxidised	E	10	M8	23	100	13	61
K0179.612X65	steel	black oxidised	E	12	M10	29	65	15	71
K0179.612X80	steel	black oxidised	E	12	M10	29	80	15	71
K0179.612X100	steel	black oxidised	E	12	M10	29	100	15	71
K0179.612X125	steel	black oxidised	E	12	M10	29	125	15	71
K0179.614X80	steel	black oxidised	E	14	M12	29	80	16	71
K0179.614X100	steel	black oxidised	E	14	M12	29	100	16	71
K0179.614X125	steel	black oxidised	E	14	M12	29	125	16	71
K0179.614X160	steel	black oxidised	E	14	M12	29	160	16	71
K0179.2608X35	steel	blue-passivated	E	8	M6	17	35	9	45
K0179.2608X50	steel	blue-passivated	E	8	M6	17	50	9	45
K0179.2608X65	steel	blue-passivated	E	8	M6	17	65	9	45
K0179.2610X50	steel	blue-passivated	E	10	M8	23	50	13	61
K0179.2610X65	steel	blue-passivated	E	10	M8	23	65	13	61
K0179.2610X80	steel	blue-passivated	E	10	M8	23	80	13	61
K0179.2610X100	steel	blue-passivated	E	10	M8	23	100	13	61
K0179.2612X65	steel	blue-passivated	E	12	M10	29	65	15	71
K0179.2612X80	steel	blue-passivated	E	12	M10	29	80	15	71
K0179.2612X100	steel	blue-passivated	E	12	M10	29	100	15	71
K0179.2612X125	steel	blue-passivated	E	12	M10	29	125	15	71
K0179.2614X80	steel	blue-passivated	E	14	M12	29	80	16	71
K0179.2614X100	steel	blue-passivated	E	14	M12	29	100	16	71
K0179.2614X125	steel	blue-passivated	E	14	M12	29	125	16	71
K0179.2614X160	steel	blue-passivated	E	14	M12	29	160	16	71
K0179.1608X35	stainless steel	bright	E	8	M6	17	35	9	45
K0179.1608X50	stainless steel	bright	E	8	M6	17	50	9	45
K0179.1608X65	stainless steel	bright	E	8	M6	17	65	9	45
K0179.1610X50	stainless steel	bright	E	10	M8	23	50	13	61
K0179.1610X65	stainless steel	bright	E	10	M8	23	65	13	61
K0179.1610X80	stainless steel	bright	E	10	M8	23	80	13	61
K0179.1610X100	stainless steel	bright	E	10	M8	23	100	13	61
K0179.1612X65	stainless steel	bright	E	12	M10	29	65	15	71
K0179.1612X80	stainless steel	bright	E	12	M10	29	80	15	71
K0179.1612X100	stainless steel	bright	E	12	M10	29	100	15	71
K0179.1612X125	stainless steel	bright	E	12	M10	29	125	15	71
K0179.1614X80	stainless steel	bright	E	14	M12	29	80	16	71
K0179.1614X100	stainless steel	bright	E	14	M12	29	100	16	71
K0179.1614X125	stainless steel	bright	E	14	M12	29	125	16	71
K0179.1614X160	stainless steel	bright	E	14	M12	29	160	16	71