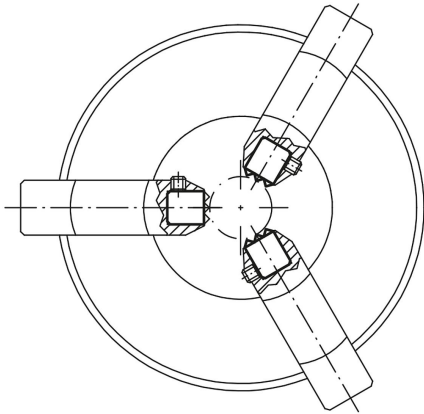


## Grippers and inserts round

### Item description/product images



### Description

#### Material:

Form C, F, M tool steel  
Form E, O, P stainless steel  
Form K POM

#### Version:

Form C hardened and black oxidised.  
Form E hardened, bright.  
Form K white.  
Form O with diamond impregnated surface comparable to 100 grade abrasive grit.  
Form P with polyurethane surface, hardness Shore 60.  
Form F, hardened and black oxidised.  
Form M with carbide serrations, black oxidised.

#### Note:

Grippers and inserts are ideal for use in clamping arms, gripping systems, clamping fixtures, clamping jaws and self-aligning pads. The use of grippers allows the transfer of very high torque values and above average grip, even with hard materials and surface irregularities.

Form O: The abrasive diamond surface is bonded firmly to the base. It is ideally suited to supporting smooth or slippery applications with a minimum of clamping pressure. This allows the diamond particles to get a firm grip on a very small area with minimum damage to the surface.

The diamond surface offers excellent wear resistance.

Form P: The polyurethane surface is vulcanised firmly to the ball. It is abrasion-resistant and does not discolour. It offers optimum protection against damage to delicate surfaces. The pearl-like surface gives a firm grip and allows air to escape so as to prevent any suction effect between the contact surface and the self-aligning pads.

Grippers and inserts can be fitted in the following self-aligning pads:

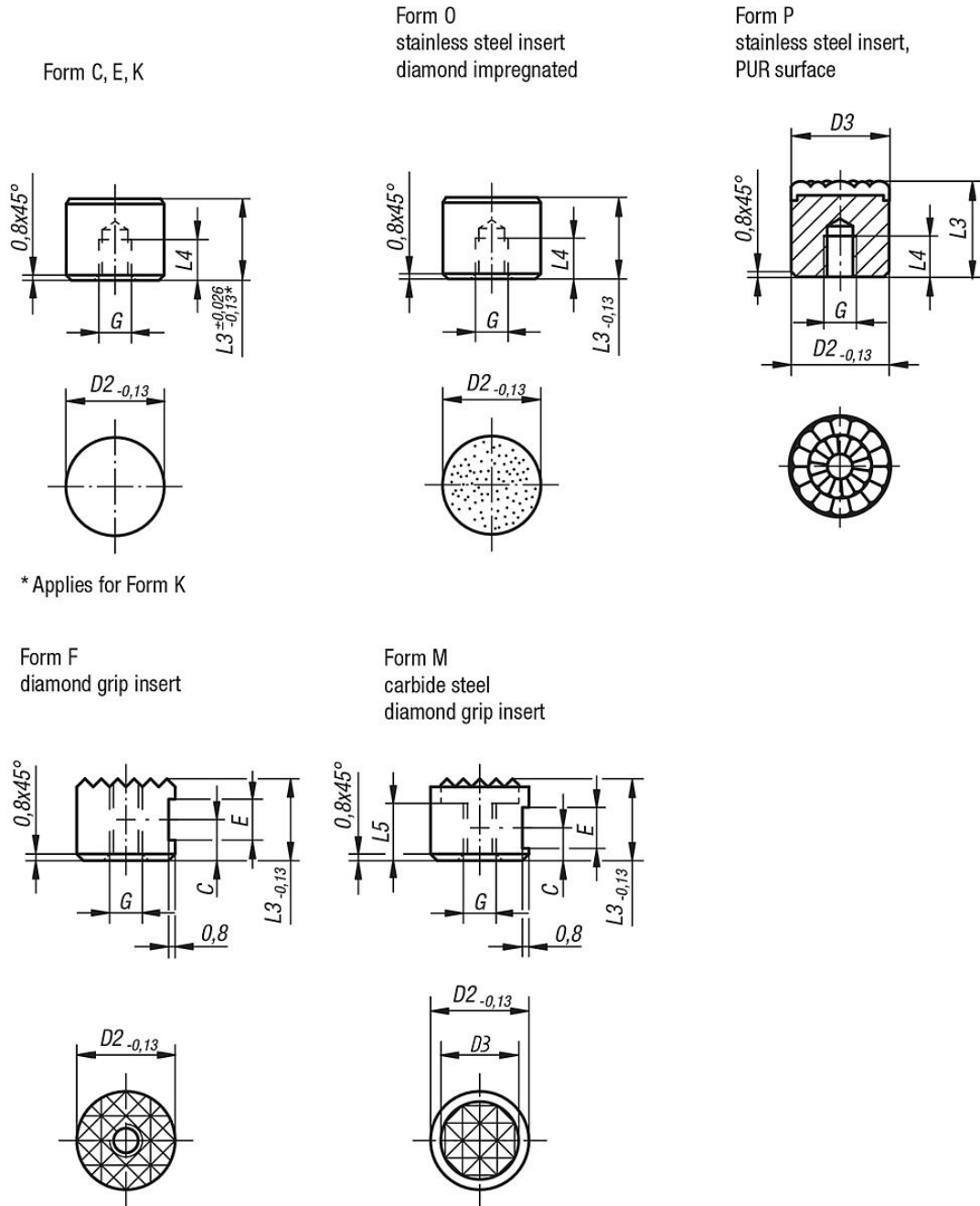
Order No. K0285.117X022 up to K0285.936X036

Order No. K0289.110X015 up to K0289.924X100

Order No. K0291.120X030 up to K0291.924X080

# Grippers and inserts round

## Drawings



## Overview of items

### Round inserts Form C, E, K, O

Order No. Form C	Order No. Form E	Order No. Form K	Order No. Form O	D2	L3	L4	G
K0385.10108	K0385.10102	K0385.10109	K0385.10105	10	10	5	M5
K0385.10128	K0385.10122	K0385.10129	K0385.10125	10	12	6,4	M5
K0385.12108	K0385.12102	K0385.12109	K0385.12105	12	10	5	M5
K0385.12128	K0385.12122	K0385.12129	K0385.12125	12	12	6,4	M5
K0385.16108	K0385.16102	K0385.16109	K0385.16105	16	10	5	M6
K0385.16128	K0385.16122	K0385.16129	K0385.16125	16	12	6,4	M6
K0385.20108	K0385.20102	K0385.20109	K0385.20105	20	10	5	M6
K0385.20128	K0385.20122	K0385.20129	K0385.20125	20	12	6,4	M6

## Grippers and inserts round

### Overview of items

Order No. Form C	Order No. Form E	Order No. Form K	Order No. Form O	D2	L3	L4	G
K0385.25108	K0385.25102	K0385.25109	K0385.25105	25	10	5	M6
K0385.25128	K0385.25122	K0385.25129	K0385.25125	25	12	6,4	M6

### Round inserts Form P

Order No.	Form	D2	D3	L3	L4	G
K0385.08126	P	8	8	12	6	M4
K0385.10126	P	10	10	12	6	M5
K0385.12126	P	12	13	12	6	M5
K0385.16126	P	16	16	12	6	M6
K0385.20126	P	20	21	12	6	M6
K0385.25126	P	25	27	12	6	M6

### Grippers Form F, M

Order No. Form F	Order No. Form M	D2	D3	L3	L5	C	E	G
K0385.1010	K0385.10107	10	-7,9	10	-6	4,5	4,75	M5
K0385.1012	K0385.10127	10	7,9	12	-8	6	4,75	M5
K0385.1210	K0385.12107	12	-9,5	10	-6	4,5	4,75	M5
K0385.1212	K0385.12127	12	-9,5	12	-7	6	4,75	M5
K0385.1610	K0385.16107	16	-12,7	10	-6	4,5	4,75	M6
K0385.1612	K0385.16127	16	12,7	12	-8	6	4,75	M6
K0385.2010	K0385.20107	20	-15,9	10	-6	4,5	4,75	M6
K0385.2012	K0385.20127	20	15,9	12	-8	6	4,75	M6
K0385.2510	K0385.25107	25	-19	10	-6	4,5	4,75	M6
K0385.2512	K0385.25127	25	19	12	-8	6	4,75	M6